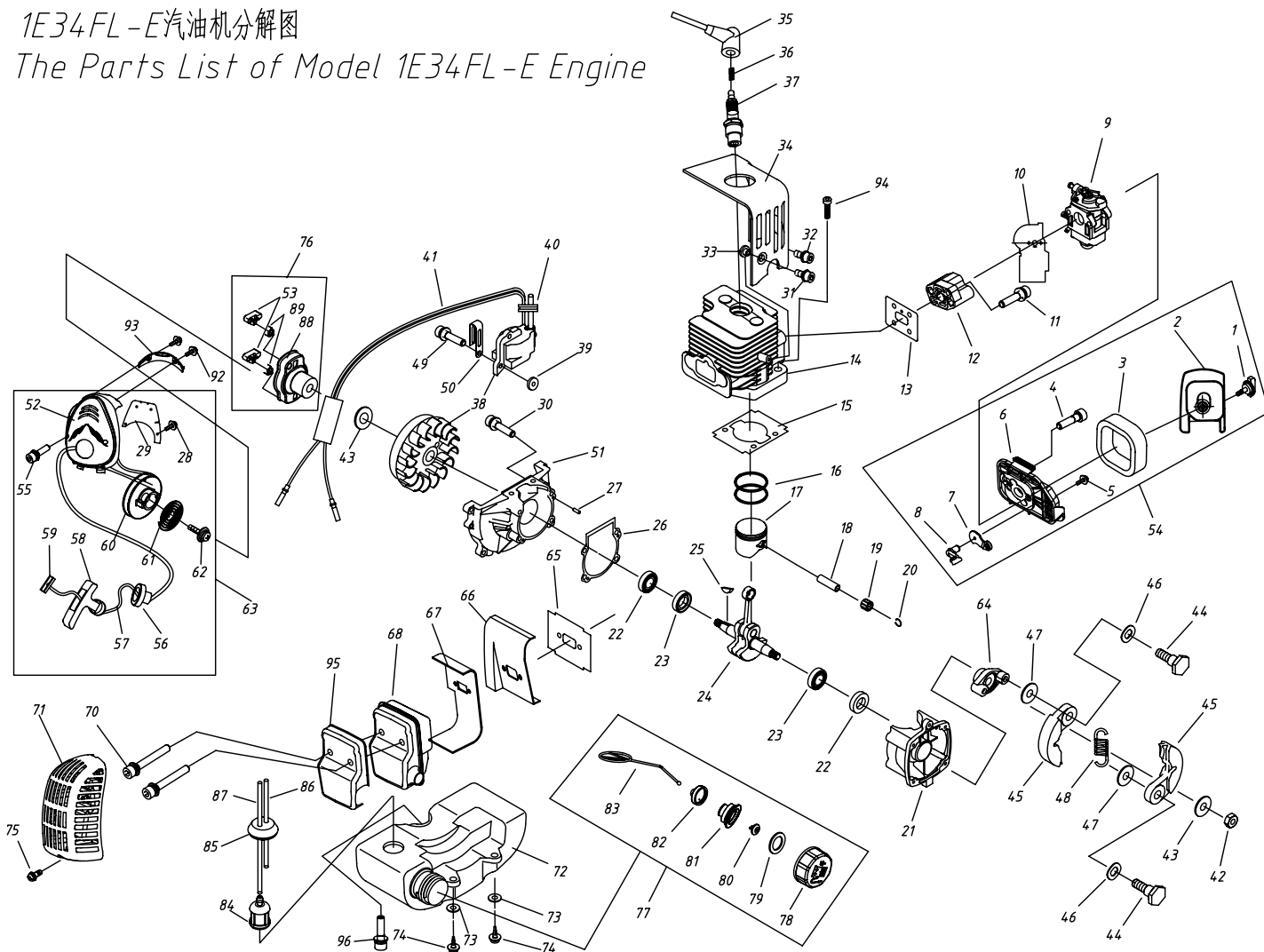


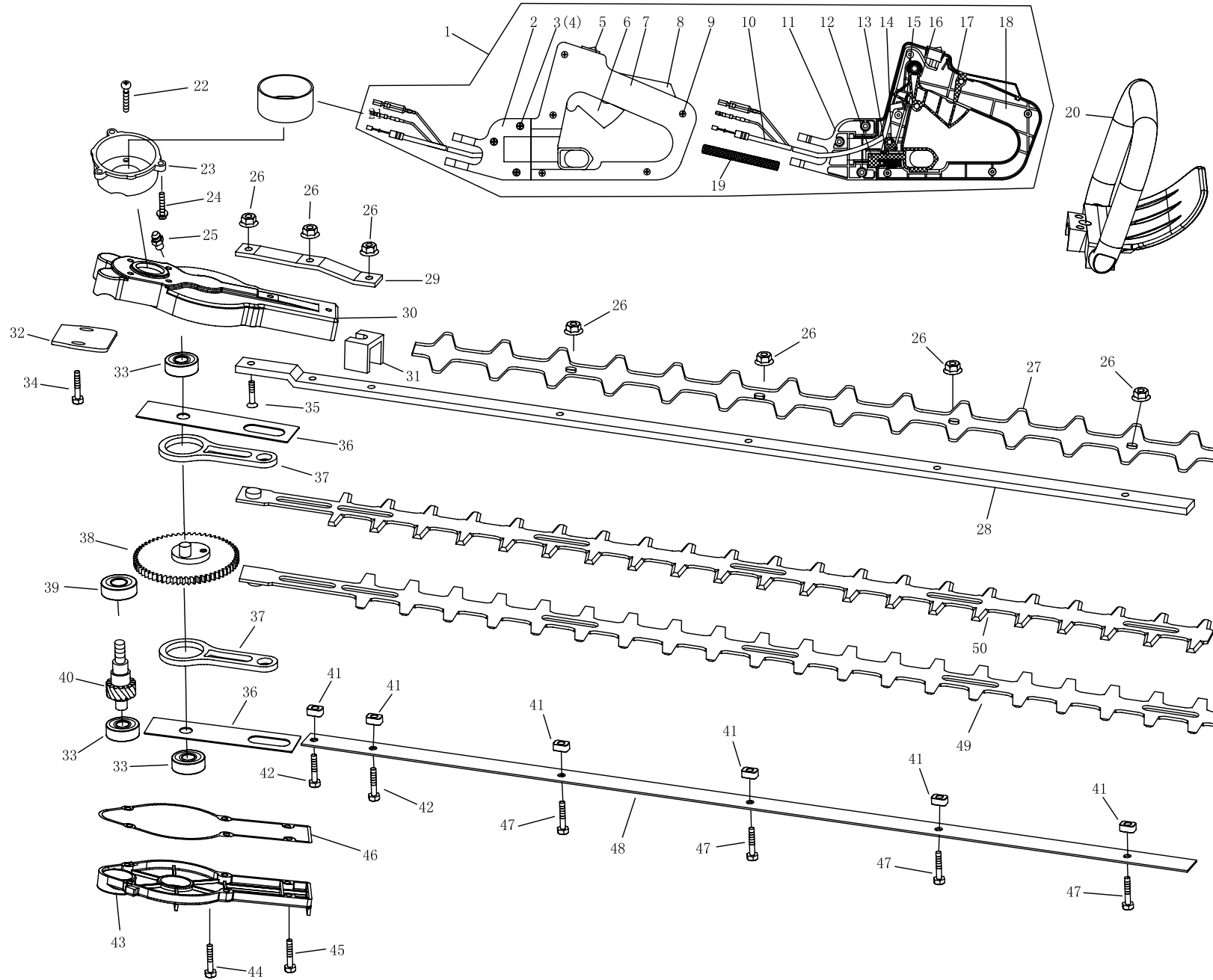
# 1E34FL-E汽油机分解图

## The Parts List of Model 1E34FL-E Engine



| 序号 | 代号             | 名称                                   | 数量 | 序号 | 代号             | 名称                          | 数量 | 序号 | 代号             | 名称                               | 数量 |
|----|----------------|--------------------------------------|----|----|----------------|-----------------------------|----|----|----------------|----------------------------------|----|
| 1  | 1E34FL-E.1.1   | 大头螺钉 SCREW                           | 1  | 34 | 1E34FL-E-4     | 导风罩 GUIDE COVER             | 1  | 67 | 1E34FL-E-1     | 消音器垫 GASKET                      | 1  |
| 2  | 1E34FL-E.1-2   | 空滤器外罩 OUTSIDE COVER                  | 1  | 35 | 1E36F-2C.6-1   | 高压帽 PLUG CAP                | 1  | 68 | 1E34FL-E.4-SW  | 消音器组合 MUFFLER COMP.              | 1  |
| 3  | 1E34FL-E.1-1   | 滤芯 FILTER NET                        | 1  | 36 | 1E36F-2C.6-2   | 火花塞卡簧 CLICK SPRING          | 1  |    |                |                                  |    |
| 4  | GB70+GB97      | 螺钉组合件 M5X55 SCREW M5X55              | 2  | 37 | L8RTC          | 火花塞 SPARK PLUG              | 1  | 70 | GB/T70.1+GB97  | 螺钉 M5X55-12.9 SCREW M5X55-12.9   | 2  |
| 5  | GB/T845        | 自攻螺钉 ST4.2X12-F-H SCREW ST4.2X12-F-H | 1  | 38 | HA28L.4        | 磁电机组合 MAGNETO COMP.         | 1  | 71 | 1E34FL-E-3     | 消音器护罩 MUFFLER COVER              | 1  |
| 6  | 1E34F.1.1      | 空滤器内罩 INSIDE COVER                   | 1  | 39 | 1E32FL-6       | 定子隔热垫 GASKET                | 2  | 72 | 1E34FL-E.5-1   | 油箱 FUEL TANK                     | 1  |
| 7  | 1E34F.1-3      | 阻风门 CHOKE                            | 1  | 40 | 1E34F.5-1      | 橡胶塞 RUBBER PLUG             | 1  | 73 | GB/T96.1       | 垫圈 4 WASHER 4                    | 2  |
| 8  | 1E34F.1-2      | 阻风门手柄 CHOKE HANDLE                   | 1  | 41 | HA28L.4.3      | 停车线组 STOP CORD COMP.        | 1  | 74 | GB/T845        | 自攻螺钉 ST4.2X19-F SCREW ST4.2X19-F | 2  |
| 9  | HA28L.7        | 化油器 CARBURETOR                       | 1  | 42 | GB/T6171.1     | 螺母 M8X1 NUT M8X1            | 1  | 75 | 1E40F-5A-CE-1  | 不锈钢螺钉 M5x20 CE SCREW M5X20       | 2  |
| 10 | 3CS1.1-2       | 化油器侧密封垫 GASKET                       | 1  | 43 | GB/T97.1       | 垫圈 8 WASHER 8               | 1  | 76 | 1E34FL-E.9     | 启动拨盘组合 START REEL COMP.          | 1  |
| 11 | GB70+GB93+GB97 | 螺钉组合件 M5X30 SCREW M5X30              | 2  | 44 | 1E34F-12       | 螺钉轴 CLUTCH STEP SCREW       | 2  | 77 | 1E32FL.6.2     | 油箱盖组合 FUEL TANK LID COMP.        | 1  |
| 12 | 1E34F-E.8      | 进气管部件 ADMITTING PIPE ASS'Y           | 1  | 45 | 1E34F.10.1     | 派紫块组合 CLUTCH SHOE COMP.     | 2  | 78 | 1E32FL.6.2-1   | 油箱盖 FUEL TANK LID                | 1  |
| 13 | 1E34F-2        | 缸体侧密封垫 GASKET                        | 1  | 46 | 1E34F-13       | 波形垫圈 WASHER                 | 2  | 79 | CG420.1.3.1-2  | 密封垫 GASKET                       | 1  |
| 14 | 1E34FL-E-6     | 缸体 CYLINDER                          | 1  | 47 | 1E34F-11       | 平垫圈 WASHER                  | 2  | 80 | EB-415.4.1.1-1 | 进气嘴 INLET                        | 1  |
| 15 | HA28L-6        | 缸体密封垫 GASKET                         | 1  | 48 | 1E34F.10-1     | 拉簧 SPRING                   | 1  | 81 | 1E32FL.6.2-2   | 油箱内盖 INSIDE LID                  | 1  |
| 16 | 1E34F.6-5      | 活塞环 PISTON RING                      | 2  | 49 | GB70+GB93+GB97 | 螺钉组合件 M4X20 SCREW M4X20     | 2  | 82 | 1E32FL.6.2-3   | 端盖 INSIDE LID                    | 1  |
| 17 | 1E34F-E.4-1    | 活塞 PISTON                            | 1  | 50 | 1E40F-3A.9     | 高压线卡 CLIP                   | 1  | 83 | 1E32FL.6.2-4   | 防脱链 CHAIN                        | 1  |
| 18 | 1E34F.6-3      | 活塞销 PISTON PIN                       | 1  | 51 | 1E34FL-E.6-2   | 前半曲轴箱 FRONT HALF CRANK CASE | 1  | 84 | P40.12.2-3A    | 过滤器 FUEL OIL FILTER              | 1  |
| 19 | 1E31F.4.1      | 小头滚针轴承 NEEDLE BEARING                | 1  | 52 | 1E34FL-E.3.1   | 启动器壳体 STARTER COVER BODY    | 1  | 85 | EB-415.4.2-2   | 油管胶塞 PLUG                        | 1  |
| 20 | 1E34F.6-2      | 活塞销挡环 PISTON PIN CIRCLIP             | 2  | 53 | 1E34F.8-1      | 启动爪 STARTER PAWL            | 2  | 86 | EB-415.4.2-4   | 回油管 FUEL PIPE                    | 1  |
| 21 | 1E34FL-E.6-1   | 后半曲轴箱 REAR HALF CRANK CASE           | 1  | 54 | 1E34FL-E.1     | 空滤器组合 FILTER COMP.          | 1  | 87 | CG420.1.3.2-2  | 输油管 FUEL PIPE                    | 1  |
| 22 | 1E36F.2        | 油封 OIL SEAL                          | 2  | 55 | GB70+GB93+GB97 | 螺钉组合件 M5X20 SCREW M5X20     | 4  | 88 | 1E34FL-E.9.1   | 启动拨盘组合 START REEL                | 1  |
| 23 | GB/T 276       | 轴承 6001/PS BALL BEARING 6001/PS      | 2  | 56 | 1E34F.11.1-1   | 导向套 ROPE GUIDE              | 1  | 89 | 1E34F.8-2      | 启动扣簧 START CLAW                  | 2  |
| 24 | 1E32FL.3A.1    | 曲轴连杆组 CRANK SHAFT COMP.              | 1  | 57 | 1E34F.11-3     | 启动拉绳 ROPE                   | 1  | 90 | HA28L.4.2      | 磁电机定子 COIL                       | 1  |
| 25 | 1E40FP-3Z.3-1  | 半圆键 KEY                              | 1  | 58 | 1E36F.1-1      | 启动手把 STARTER HANDLE         | 1  | 91 | HA28L.2        | 磁电机转子 FLY WHEEL                  | 1  |
| 26 | 1E34F.7-2      | 曲轴箱密封垫 CRANK CASE GASKET             | 1  | 59 | 1E36F.1-5      | 防脱垫 RING                    | 1  | 92 | GB/T845        | 自攻螺钉 ST3.5X19-F SCREW ST3.5X19-F | 4  |
| 27 | GB/T119.2      | 销 4x8X10 PIN 4x8X10                  | 2  | 60 | 1E34F.11-2     | 启动滑靴 STARTER ROPE REEL      | 1  | 93 | 1E34FL-E-5     | 火花塞保护罩 SPARK PLUG COVER          | 1  |
| 28 | GB/T845        | 自攻螺钉 ST4X13 SCREW ST4X13             | 4  | 61 | 1E34F.11-1     | 启动平簧 RECOIL SPRING          | 1  | 94 | GB/T70.1       | 六角螺钉 M5X20 SCREW M5X20           | 4  |
| 29 | 1E34FL-E.3-1   | 导风板 Gasket                           | 1  | 62 | GB/T9074.6     | 螺钉组合件 M5X10 SCREW M5X10     | 1  | 95 | 1E34FL-E-2     | 消音器护罩 MUFFLER COVER              | 1  |
| 30 | GB/T70.1       | 内六角螺钉 M5X25 SCREW M5X25              | 4  | 63 | 1E34FL-E.3     | 启动器组合 STARTER COMP.         | 1  | 96 | GB70+GB93+GB97 | 螺钉组合件 M5X12 SCREW M5X12          | 1  |
| 31 | GB70+GB93+GB97 | 螺钉组合件 M5X12 SCREW M5X12              | 1  | 64 | 1E32FL-3       | 派紫块底座 STAND                 | 1  |    |                |                                  |    |
| 32 | GB/T70+GB/T97  | 螺钉组合件 M5X8 SCREW M5X8                | 1  | 65 | 1E34F-3        | 消音器垫 GASKET                 | 1  |    |                |                                  |    |
| 33 | 1E32FL-4       | 护罩垫 GASKET                           | 1  | 66 | 1E34FL-E-8     | 消音器护板 HELMET                | 1  |    |                |                                  |    |

# The Parts List of Model SLP600A-E Hedge-Trimmer



| 序号 | 代号            | 名称                   | 数量   |
|----|---------------|----------------------|------|
| 1  | SLP600A.1     | Handle assm.         | 1    |
| 2  | SLP600A.1-6   | linker, left         | 1    |
| 3  | GB/T 823      | M4 × 40              | 3    |
| 4  | GB/T 6170     | Nut M4               | 3    |
| 5  | SLP600A.1.1   | Stop Button comp.    | 1    |
| 6  | SLP600A.1-4   | Handle               | 1    |
| 7  | SLP600A.1-7   | Handle, left         | 1    |
| 8  | SLP600A.1-3   | Handgrip             | 1    |
| 9  | GB/T 845      | Screw ST4.2 × 19     | 5    |
| 10 | SLP600A.1.2B  | Cable comp.          | 1    |
| 11 | SLP600A.1-5   | linker, right        | 1    |
| 12 | SLP600A.1-2   | Lever, lock          | 1    |
| 13 | SLP600A.1-11  | Spring               | 1    |
| 14 | SLP600A.1-1   | Pawl                 | 1    |
| 15 | SLP600A.1-12  | Mandril              | 1    |
| 16 | SLP600A.1-9   | Spring               | 1    |
| 17 | SLP600A.1-10  | Spring               | 1    |
| 18 | SLP600A.1-8   | Handle, right        | 5    |
| 19 | BG328A-2      | Tube                 | 0.12 |
| 20 | SLP600B.2     | Hand Grip            | 1    |
| 21 | SL750.2.1     | Clutch Drum Comp.    | 1    |
| 22 | GB9074.4      | Screw M5 × 12        | 4    |
| 23 | SL750.2-3     | Clutch Case          | 1    |
| 24 | GB9074.4      | Screw M5 × 16        | 3    |
| 25 | GB1152        | Fuel Cup M6          | 1    |
| 26 | GB6177        | Nut M5               | 11   |
| 27 | SLP600.3.1-3  | Blade Cover          | 1    |
| 28 | BL750.4.2.2-1 | Blade Stand          | 1    |
| 29 | BL750.4.2-8   | Cushion              | 1    |
| 30 | SLP600B.3-4   | Wheel Box            | 1    |
| 31 | SLP600B.3-5   | Felt                 | 1    |
| 32 | SLP600-1      | Cushion              | 1    |
| 33 | GB/T276       | Bearing 629/P6       | 3    |
| 34 | GB70.1        | Screw M5 × 45        | 2    |
| 35 | GB/T68        | Bolt M5 × 20         | 1    |
| 36 | BL750.4.2-4   | Cushion              | 2    |
| 37 | SLP600B.3-2   | Crank Shaft          | 2    |
| 38 | SLP600B.3.1   | Gear and Brace Ass'y | 1    |
| 39 | GB/T276       | Bearing 6001-2RS/P6  | 1    |
| 40 | SL750.2-1     | Gear Shaft           | 1    |
| 41 | BL750.4.2.2-2 | Stand                | 6    |
| 42 | GB29.2        | Bolt M5 × 35         | 2    |
| 43 | SLP600B.3-1   | Case Cover           | 1    |
| 44 | GB9074.13     | Screw M5 × 20        | 4    |
| 45 | GB9074.13     | Screw M5 × 35        | 2    |
| 46 | SLP600B.3-3   | Gasket               | 1    |
| 47 | GB29.2        | Bolt M5 × 25         | 4    |
| 48 | BL750.4.2.2-4 | Blade Bracket        | 1    |
| 49 | SLP600.3.1-2  | Blade, Lower         | 1    |
| 50 | SLP600.3.1-1  | Blade, Uper          | 1    |