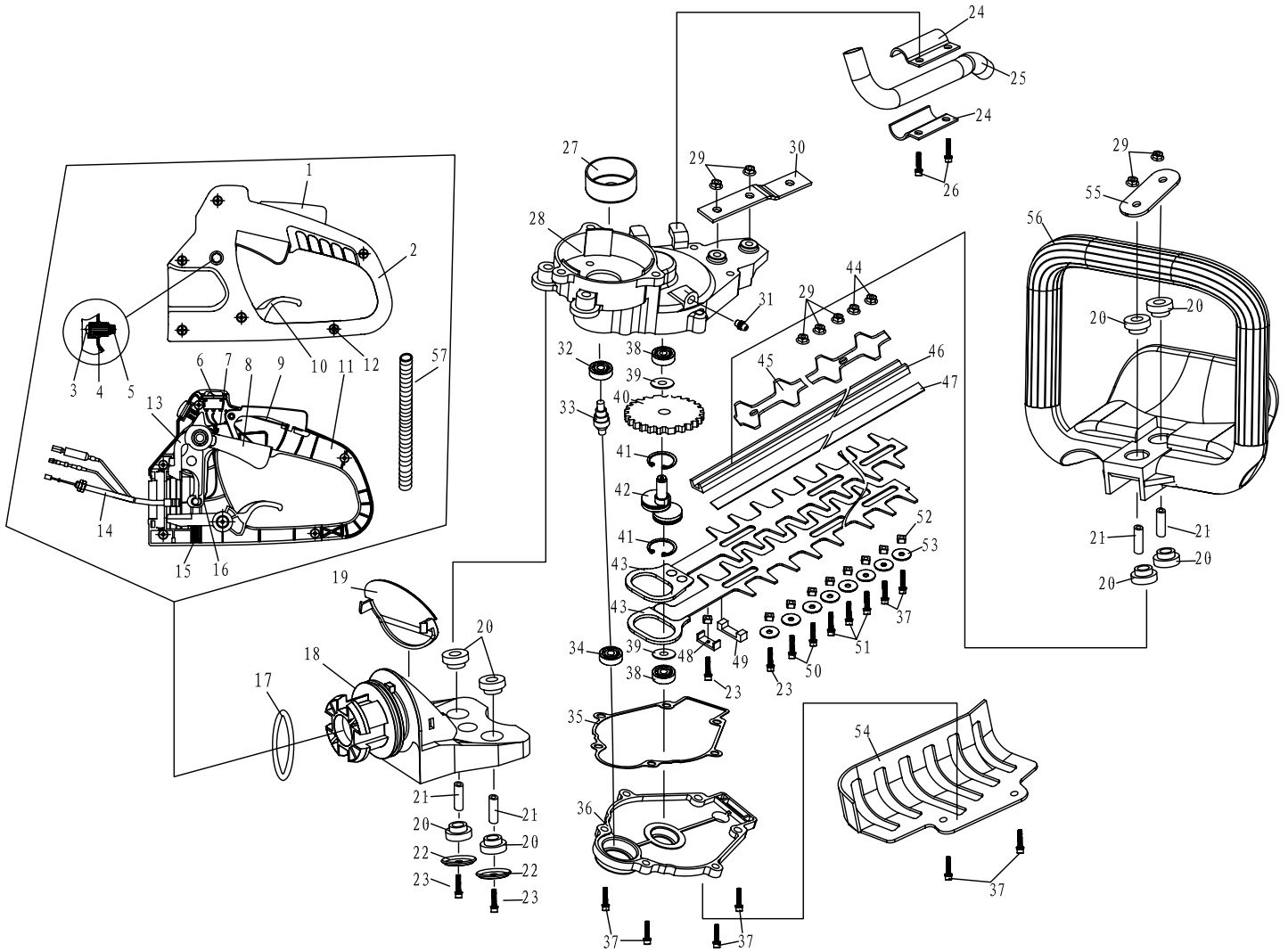


# The Parts List of Model SLP500 Hedge-Trimmer



序号	代号	名称	数量	序号	代号	名称	数量	序号	代号	名称	数量
1	SLP600-E. 1-8	Handgrip	1	24	SLP500-5	Washer	2	47	SLP500. 2-11	Cushion	1
2	SLP600-E. 1-1	Handle, left	1	25	SLP500-4	Pipe, exhaust	1	48	SLP500. 2-8	Bracket	1
3	GB/T6560	Screw M4 × 25	1	26	GB/T70. 1	Screw M5 × 10	2	49	SLP500. 2-15	Felt	1
4	SLP600-E. 1-3	Spring	1	27	SLP500. 2-13	Clutch Drum Comp.	1	50	GB/T70. 1+GB/T93+GB/T97. 1	Screw M5 × 50	2
5	SLP600-E. 1-2	Lever, lock	1	28	SLP500. 2-1	Wheel Box	1	51	GB/T70. 1+GB/T93+GB/T97. 1	Screw M5 × 25	3
6	SLP500. 2. 2	Switch	1	29	GB/T6183. 1	Nut M5	7	52	SLP500. 2-14	Spacer	9
7	SLP600-E. 1-7	Spring	1	30	SLP500-3	Gasket	1	53	GJ330. 2-6	Washer 5	8
8	SLP600-E. 1-5	Lever, throttle	1	31	GB/T1152	Fuel Cup M6	1	54	SLP500. 3	Cover	1
9	SLP600-E. 1-9	Spring	1	32	GB/T276	Bearing 6001-2RS/P6	1	55	SLP500-2	Cushion	1
10	SLP600-E. 1-10	Lever, gyral	1	33	SLP500. 2-4A	Gear Shaft	1	56	SLP500-1	Handle Front	1
11	SLP600-E. 1-4	Handle, right	1	34	GB/T276	Bearing 628/P6	1	57	BG328A-2	Tube	0. 2
12	GB/T845	Screw ST4. 2 × 16	6	35	SLP500. 2-3	Gasket	1				
13	SLP600-E. 1-6	Lever	1	36	SLP500. 2-2	Case Cover	1				
14	SLP500. 4-2	Cable comp.	1	37	GB/T70. 1+GB/T93+GB/T97. 1	Screw M5 × 20	8				
15	SLP600-E. 1-11	Spring	1	38	GB/T276	Bearing 626/P6	2				
16	SLP600-E. 1-12	Spring	1	39	SLP500. 2-7	Cushion	2				
17	JB/T7757. 2	Seal 48. 7 × 3. 1	1	40	SLP500. 2-5A	Gear	1				
18	SLP500. 4-1	Frame	1	41	GB/T894. 1	Stop Ring 28	2				
19	SLP600-E. 1-17	Frame Lid	1	42	SLP500. 2-6	Cam Shaft	1				
20	SL750S. 1-9	Gasket	8	43	SLP500. 2. 1	Blade Riveting	2				
21	SL750S. 1-10	Pin	4	44	GB889. 1	Nut M5	2				
22	SL750S. 1-11	Cushion	2	45	SLP500. 2-9	Blade guard	1				
23	GB/T70. 1+GB/T93+GB/T97. 1	Screw M5 × 35	4	46	SLP500. 2-10	Plate, upper	1				