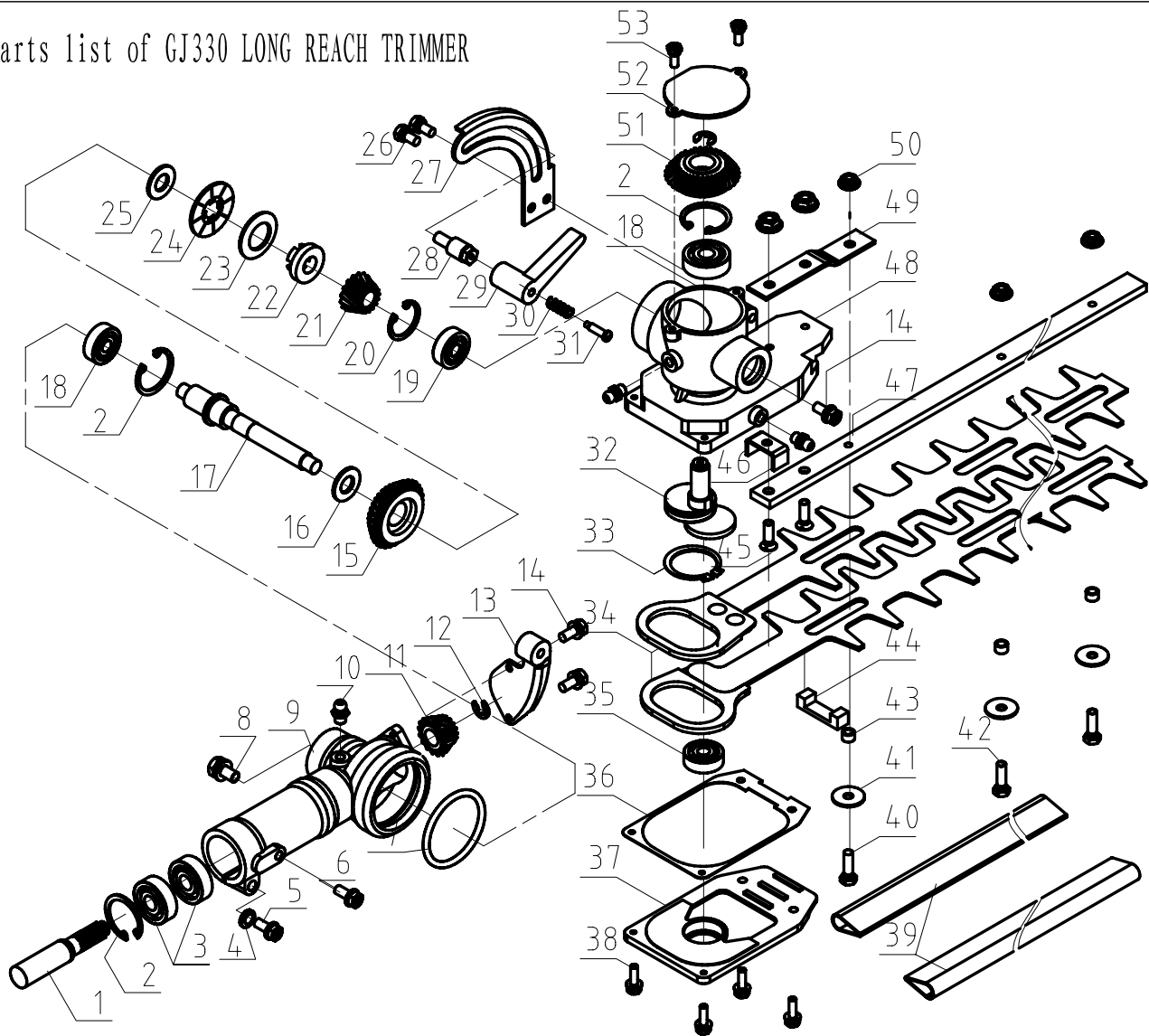


The parts list of GJ330 LONG REACH TRIMMER



NO.	PART NO.	DESCRIPTION	QTY.	NO.	PART NO.	DESCRIPTION	QTY.	NO.	PART NO.	DESCRIPTION	QTY.
1	GJ330.2.1	GEAR SHAFT	1	19	GB/T276	BEARING 608-2RS/P5	1	37	GJ330.2-14	DRIVE CASE CAP	1
2	GB/T893.1	STOP RING 26	3	20	GB/T893.1	STOP RING 22	1	38	GB9074.13	SCREW M4×14	4
3	GB/T276	BEARING 6000-RS/P5	2	21	GJ330.2.2-2	PINION	1	39	GJ330.2-3	BLADE COVER	1
4	GB/T93	WASHER 5	1	22	GJ330.2.2-3	LIMIT LOCATION BLOCK	1	40	GB/T29.2	SCREW M5*20	1
5	GB/T70.1	SCREW M5*25	1	23	GJ330.2.2-4	DISHING WASHER	1	41	GJ330.2-6	WASHER 5	4
6	GB/T9074.11	BOLT M5×12	1	24	GJ330.2.2-5	LOCATION PAD	1	42	GB/T29.2	SCREW M5*18	3
7	GJ330.2-4	"O" CIRCLE 40.2	1	25	GJ330.2.2-8	RUBBER COVER 10	1	43	GJ330.2-8	GASKET	1
8	GB/T9074.13	BOLT M6*12	1	26	GB/T9074.12	BOLT M5×10	1	44	GJ330.2-10	SEALGASKET	1
9	GJ330.2-1	GEAR CASE ASSY	1	27	GJ330.2-15	LOCATION BOARD	1	45	GB/T68	SCREW M5×18	2
10	GB/T 1152	OIL CUP M6	3	28	GJ330.2.4-3	SCREW M6	1	46	GJ330.2-16	LIMIT LOCATION BLOCK	1
11	GJ330.2-2	LEFT PINION	1	29	GJ330.2.4-1	HANDLE	1	47	GJ330.2-7	BLADE BRACKET	1
12	GB/T896	开口STOP RING 6	2	30	GJ330.2.4-2	SPRING	1	48	GJ330.2-5	DRIVE CASE	1
13	GJ330.2.5	ORIENTATION STAND	1	31	GJ330.2.4-4	SCREW M3*12	1	49	GJ330.2-9	GASKET	1
14	GB/T9074.13	BOLT M5*12	3	32	GJ330.2-12	CAM SHAFT	1	50	GB/T 6177.1	NUT M5	1
15	GJ330.2.2-7	GEAR	1	33	GB/T894.1	STOP RING 28	1	51	GJ330.2-13	RIGHT PINION	1
16	GJ330.2.2-6	RUBBER COVER 14	1	34	GJ330.2.3	BLADE RIVETING	1	52	GJ330.2-11	DRIVE CAST CAP	1
17	GJ330.2.2-1	SPINDLE	1	35	GB/T276	BEARING 608-RS/P5	1	53	GB/T9074.12	BOLT M4×10	2
18	GB/T276	BEARING6000-2RS/P5	2	36	GJ330.2-17	SEAL GASKET	1	54			