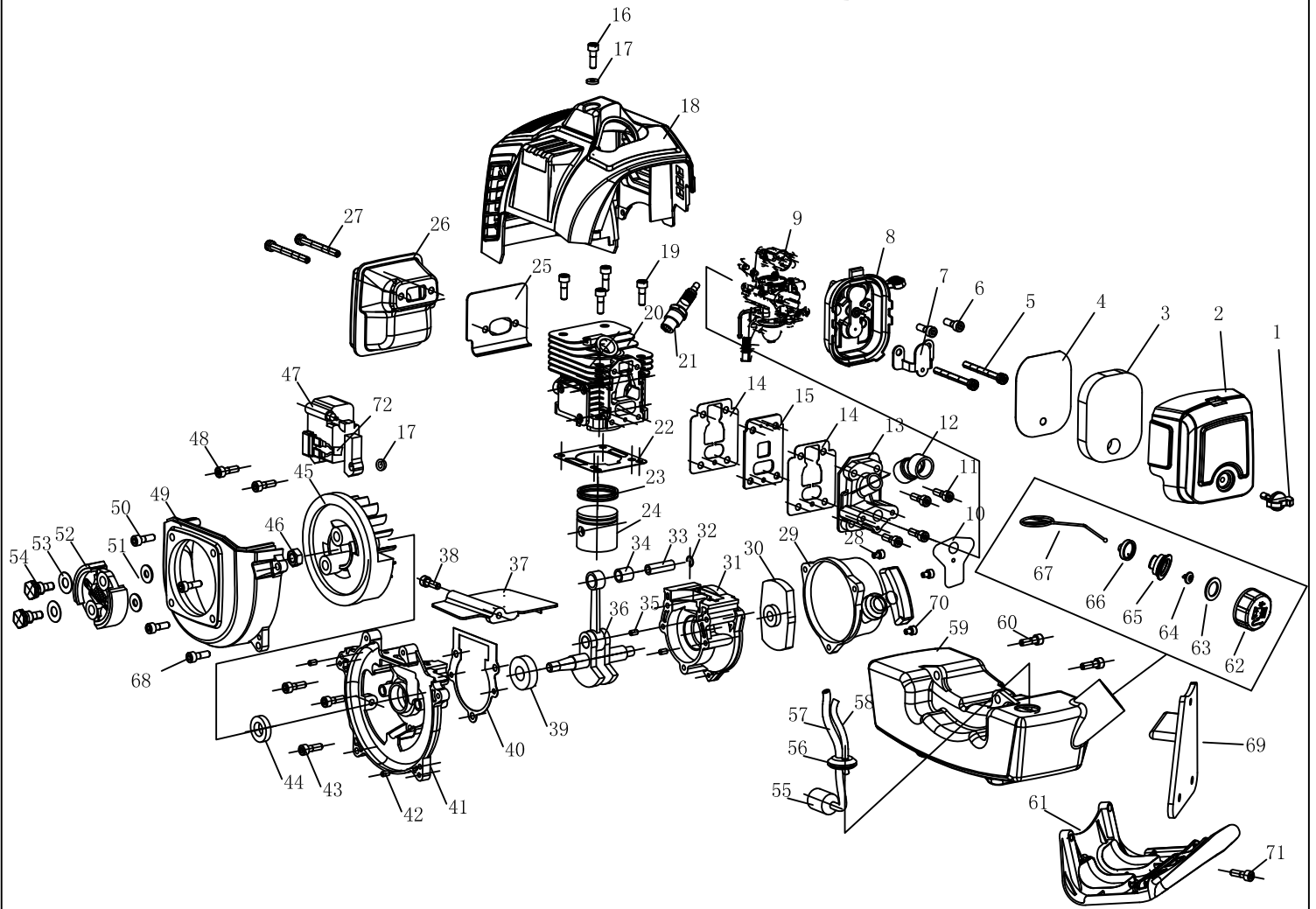
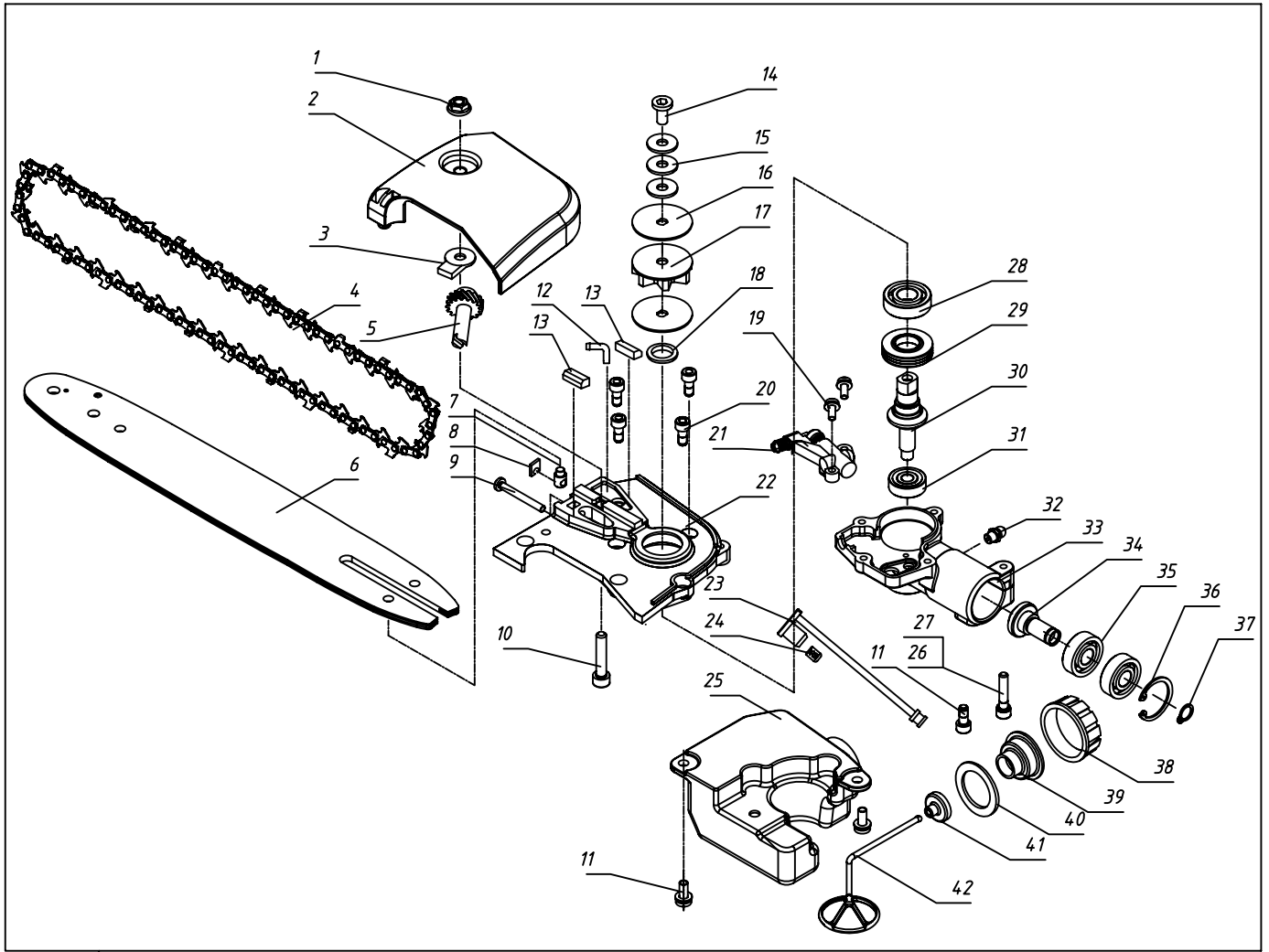


# The Parts List of Model 1E34F-3E Engine



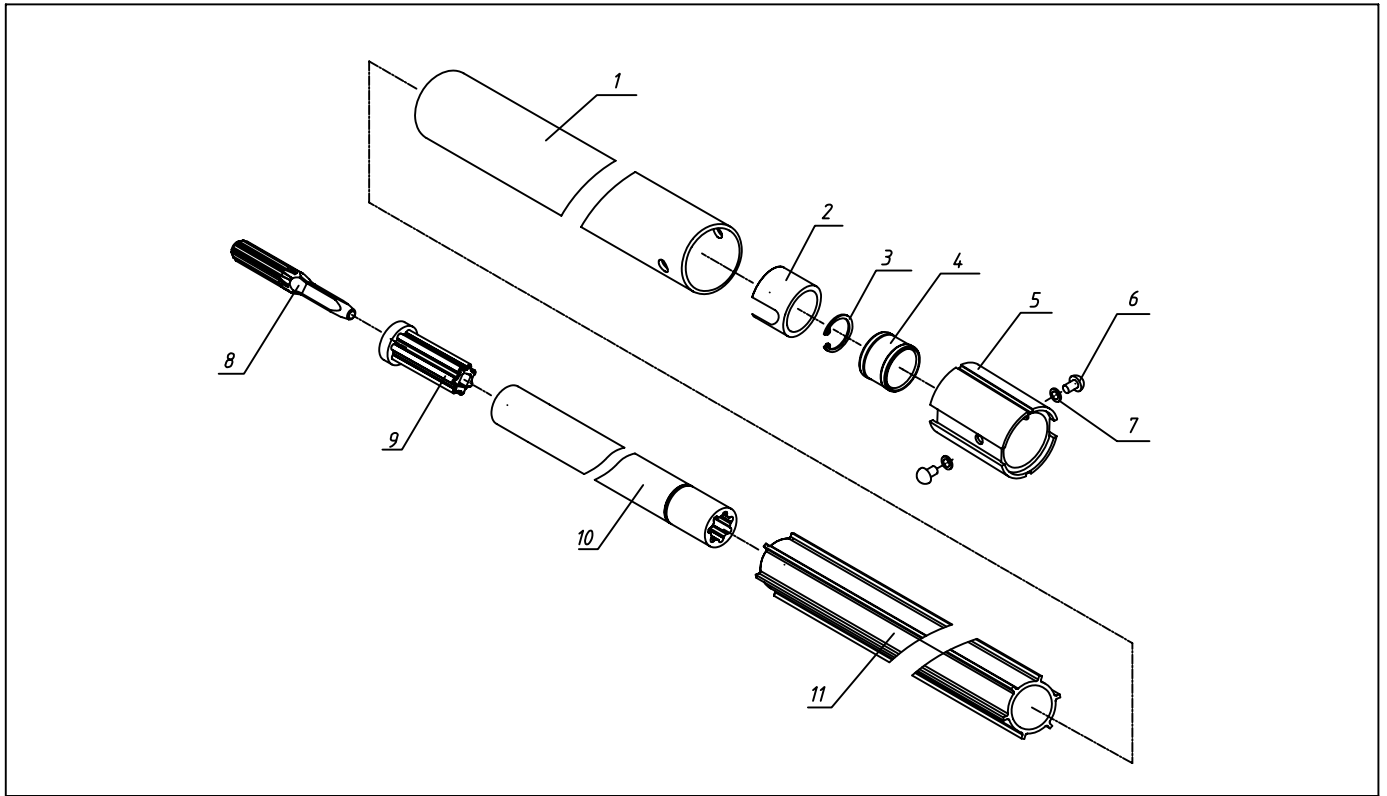
NO.	PART NO.	PART NAME	QTY	NO.	PART NO.	PART NAME	QTY	NO.	PART NO.	PART NAME	QTY
1	1E34F. 1. 2A	SCREW	1	32	1E31F. 4-3	PISTON PIN CIRCLIP	2	63	CG420. 1. 3. 1-2	GASKET	1
2	1E34F-3E. 13-1	OUTSIDE COVER	1	33	1E31F. 4-2	PISTON PIN	1	64	EB-415. 4. 1. 1-1	INLET	1
3	1E34F-3E. 13-3	FILTER NET	1	34	1E31F. 4. 1	NEEDLE BEARING	1	65	1E32FL. 6. 2-2	INSIDE LID	1
4	1E34F-3E. 13-4	BAFFLE	1	35	GB/T119. 2	PIN 4 h8×10	2	66	1E32FL. 6. 2-3	INSIDE LID	1
5	GB/T70. 1	SCREW M5*60	2	36	1E34F-3E. 7. 1	CRANK SHAFT COMP.	1	67	HB33. 2. 2. 1	CHAIN	1
6	GB/T70. 1	SCREW M5*12	2	37	1E34F-3E-6	GASKET	1	68	GB70. 1+GB93+GB97	SCREW COMP. M5X25	2
7	1E34F-3E. 13-2	BAFFLE	1	38	GB70. 1+GB93+GB97	SCREW COMP. M5X12	1	69	QJB270-3	Bracket	1
8	1E34F-3E. 13. 1	INSIDE COVER	1	39	GB/T 276	BALL BEARING 6001/P6	2	70	GB70. 1+GB93+GB97	SCREW COMP. M4X25	1
9	1E36F-3E. 1	CARBURETOR	1	40	1E34F-3E. 11-3	CRANK CASE GASKET	1	71	GB70. 1+GB93+GB97	SCREW COMP. M5X25	2
10	1E36F-3E-2	GASKET	1	41	1E34F-3E. 11-2	FRONT HALF CRANK CASE	1	72	1E40F-5C. 1. 2A	Cord Comp.	1
11	GB/T70. 1	SCREW M5X25	4	42	GB/T119. 2	PIN 4 h8×10	2				
12	1E40F-3E-9	PIPE	1	43	GB/T9074. 4	SCREW COMP. M4X20	3				
13	1E34FL-3E. 11	ADMITTING PIPE	1	44	1E36F-3E. 11	OIL SEAL	2				
14	1E34F-3E-1	GASKET	2	45	HA28. 2. 1. 2	Fly wheel	1				
15	1E34F-3E. 3	REED VALVE	1	46	GB/T6170	NUT M8	1				
16	GB70. 1+GB93+GB97	SCREW M5X14	1	47	HA28. 2. 1. 1	IGNITION COIL COMP.	1				
17	1E33F-4	GASKET	3	48	GB70. 1+GB93+GB97	SCREW COMP. M5X20	2				
18	1E34F-3E. 8	GUIDE COVER ASS'Y	1	49	1E34F-3E-4	Magneto Cover	1				
19	GB/T70. 1	SCREW M5X18	4	50	GB70. 1+GB93+GB97	SCREW COMP. M5X18	2				
20	1E34F-3E. 4-1	CYLINDER	1	51	1E34F-11	WASHER	2				
21	L8RTC	SPARK PLUG	1	52	1E34F. 10	Expander	1				
22	1E34F-3E-3	GASKET	1	53	1E34F-13	WASHER	2				
23	1E34F. 6-5	PISTON RING	2	54	1E34F-12	CLUTCH STEP SCREW	2				
24	1E34F-3E. 7-1	PISTON	1	55	P40. 12. 2-3A	Cleaner Cover	1				
25	1E34F-3E-8	GASKET	1	56	EB-415. 4. 2-2	Plug	1				
26	1E34F-3E. 5	MUFFLER COMP.	1	57	CG420. 1. 3. 2-2	Fuel Pipe	1				
27	GB70. 1+GB93+GB97	SCREW COMP. M5X65-10. 9	2	58	EB415. 4. 2-4	Fuel Pipe	1				
28	GB70. 1+GB93+GB97	SCREW COMP. M4X20	2	59	1E34F-3E. 10-1	FUEL TANK	1				
29	1E36F. 1A	STARTER COMP.	1	60	GB70. 1+GB93+GB97	SCREW COMP. M5X16	2				
30	1E36F. 1. 2A	START REEL	1	61	QJB270-2	BRACKET	1				
31	1E34F-3E. 11-1	REAR HALF CRANK CASE	1	62	1E32FL. 6. 2-1	Fuel Tank Lid	1				

# POLE SAW MACHINE SPARE PARTS LIST QJB270



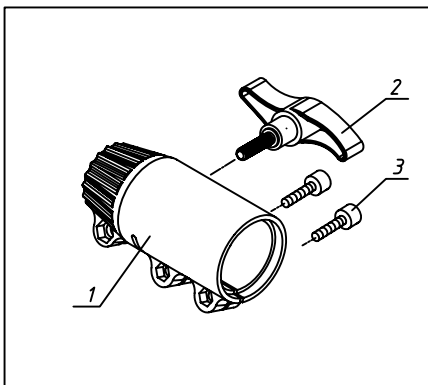
A

NO.	PART NO.	DESCRIPTION	QTY.	NO.	PART NO.	DESCRIPTION	QTY.	NO.	PART NO.	DESCRIPTION	QTY.
A	QJB270. 2	Cutter Head		15	QJB270. 2-3	Washer	3	30	QJB270. 2. 1. 1	Right pinion	1
1	GB/T6177	Nut M6	1	16	QJB270. 2-5	Baffle	2	31	GB/T276	Bearing 627-Z	1
2	QJB270. 2. 3	Cover Borad Comp	1	17	QJB270. 2-2	Chain wheel	1	32	GB/T1152	Oil cup M6	1
3	QJB270. 2. 2-4	Chain wheel Cover	1	18	QJB270. 2-1	Washer	1	33	GJ330. 1. 1-1	Gear case assy	1
4	LY/T1187	ChainJL9-3	1	19	GB/T70. 1	Screw M4×12	2	34	GJ330. 1. 1-4	Left pinion	1
5	QJB270. 2. 2-6	Gear	1	20	GB/T70. 1	Screw M5×12	4	35	GB/T276	Bearing 6000-2RS/P5	2
6	GJ330. 1. 4	"10" Guide board	1	21	GJ330. 1. 1. 1	Worm wheel ass'y	1	36	GB/T893. 2	Stop ring 26	1
7	QJB270. 2. 2-3	Adjust pin	1	22	QJB270. 2. 2-5	Box cover	1	37	GB/T894. 1	Stop ring 10	1
8	QJB270. 2. 2-1	Fixed Block	1	23	GJ330. 1. 1. 2-1	grease-vitta	1	38	GJ330-YXG	Fuel Tank Lid	1
9	QJB270. 2. 2-2	Gear	1	24	GJ330. 1. 1. 2. 1	Filter	1	39	1E32FL. 6. 2-2	Inside Cover	1
10	GB/T70. 1	Screw M6×30	1	25	GJ330. 1. 2. 1	Oil box	1	40	CG420. 1. 3. 1-2	Gasket	1
11	GB/T9074. 4	BOLT M5×16	2	26	GB/T70. 1	Screw M5×25	1	41	1E32FL. 6. 2-3	Lid	1
12	QJB270. 2. 2-7	Connecting pipe	1	27	GB/T93	Washer 5	1	42	1E32FL. 6. 2-4	Chain	1
13	YD-40-13	Protection Block	2	28	GB/T276	Bearing 6001-2RS/P5	1				
14	QJB270. 2-4	Screw	1	29	GJ330. 1. 1-3A	Worm	1				



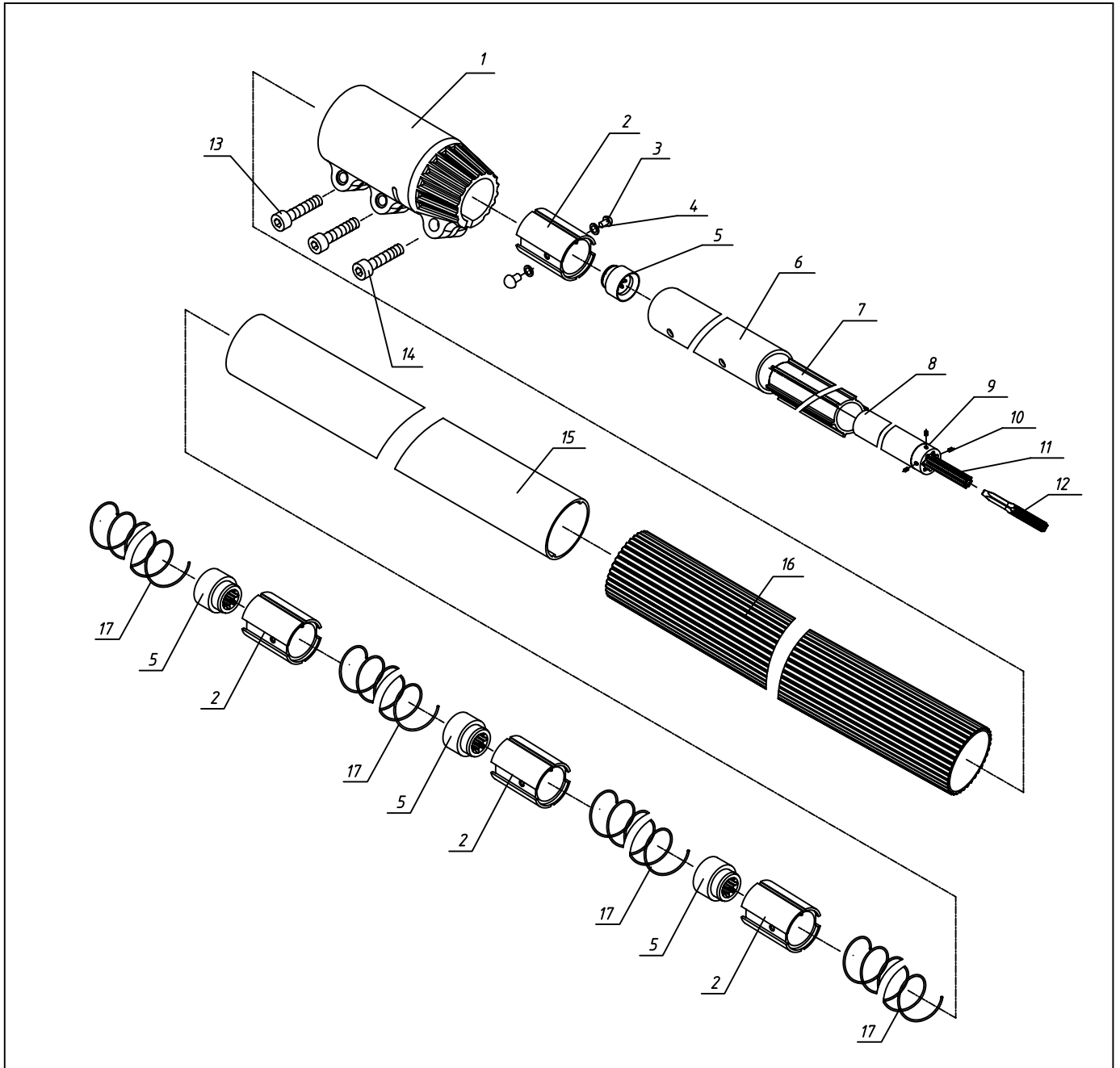
B

NO.	PART NO.	PART NAME	QTY.	NO.	PART NO.	PART NAME	QTY.
B	QJB270. 1. 1	Front Shaft Ass'y		6	GB12618	Rivet 4×8	2
1	QJB270. 1. 1-1A	Front Pipe	1	7	GB/T97. 1	Washer 4	2
2	QJB270. 1. 1-3A	Lip Block	1	8	QJB270. 1. 1. 1-1	Joint	1
3	GB894. 1	Stop ring 15	1	9	QJB270. 1. 1. 1-2	Rubber Plug	1
4	QJB270. 1. 1-4	Shaft Sleeve I	1	10	QJB270. 1. 1. 1-3	Front Shaft	1
5	QJB270. 1. 1. 2	Bearing Ass'y	1	11	QJB270. 1. 1-2A	Front Shaft Bracing	1



C

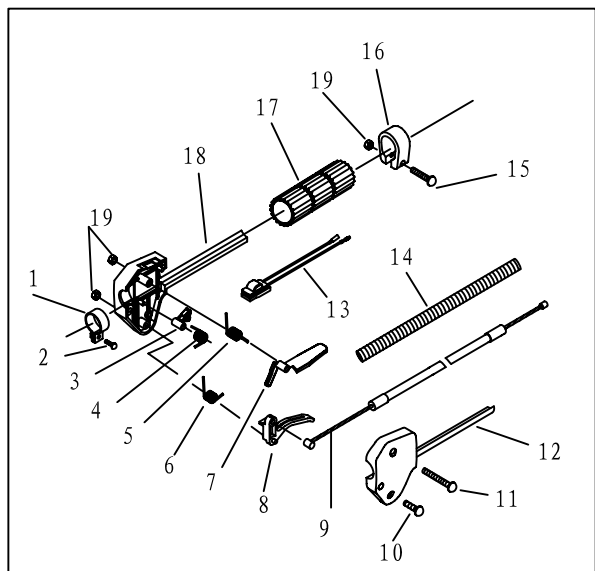
NO.	PART NO.	PART NAME	QTY.
C	QJB270. 1. 2	Connecting Sleeve Ass'y	
1	QJB270. 1. 2. 2	Connecting Sleeve	1
2	QJB270. 1. 2. 1	Handle	1
3	GB/70. 1	Screw M5×20	2



D

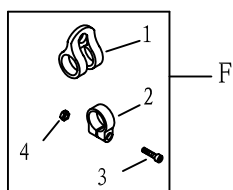
NO.	PART NO.	PART NAME	QTY.	NO.	PART NO.	PART NAME	QTY.
D	QJB270. 1. 3	Back Shaft Ass'y		9	QJB270. 1. 3-6	Lock Ring with Screw	1
1	QJB270. 1. 2. 2	Connecting Sleeve	1	10	GB/T77	Set Screws M4×5	3
2	QJB270. 1. 1. 2	Bearing Ass'y	4	11	QJB270. 1. 3. 1-1	Back Shaft	1
3	GB12618	Rivet 4×8	2	12	QJB270. 1. 1. 1-1	Joint	1
4	GB/T97. 1	Washer 4	2	13	GB/70. 1	Screw M5×20	2
5	QJB270. 1. 3-4	Shaft Sleeve II	4	14	GB/70. 1	Screw M6×20	1
6	QJB270. 1. 3. 2-1	Thin Pipe	1	15	QJB270. 1. 3-2	Thick Pipe	1
7	QJB270. 1. 3. 2-2	Back Shaft Bracing	1	16	QJB270. 1. 3-1	Rubber Cover	1
8	QJB270. 1. 3-5	Damping Shaft	1	17	QJB270. 1. 3-3	Spring	4

# POLE SAW MACHINE SPARE PARTS LIST QJB270



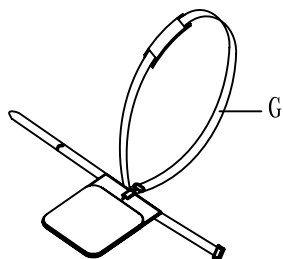
E

NO.	PART NO.	PART NAME	QTY.
E	CG260. 2	Level Ass'y	
1	CG305F. 13. 2	Clamp	1
2	GB/T9074. 4	Screw M5×16	1
3	CG305F. 13-10	Tine	1
4	CG305F. 13-11	Spring	1
5	CG305F. 13-9	Spring	1
6	CG305F. 13-1	Spring	1
7	CG305F. 13-8	Safety Lever	1
8	CG305F. 13-2	Throttle Lever	1
9	CG330A-3E. 2. 1	Cable Comp.	1
10	GB/T9074. 4	Screw M5×25	2
11	GB/T818	Screw M5×30	1
12	CG305F. 13-3	Box, Left	1
13	CG260. 2. 1	Stop Switch	1
14	BG-328A-2	Tube	1
15	GB/T9074. 4	Screw M5×25	1
16	CG305F. 13-5	Clamp	1
17	CG305F. 13-6	Rubber Cover	1
18	CG305F. 13-4	Box, Right	1
19	GB/T889. 1	Nut M5	3

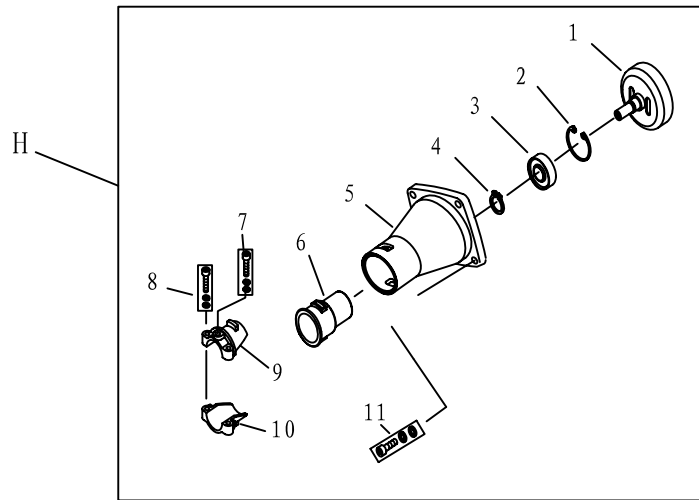


F

NO.	PART NO.	PART NAME	QTY.
F	CG260. 3	Holder Ass'y	
1	CG260. 3. 1	Harness Clamp	1
2	CG260. 3-1	Clamp	1
3	GB/T70. 1	Screw M5×20	1
4	GB/T889. 1	Nut M5	1



NO.	PART NO.	PART NAME	QTY.
G	CG260. 4	Harness Ass'y	1



NO.	PART NO.	PART NAME	QTY.	NO.	PART NO.	PART NAME	QTY.
H	CG260A. 1A	Clutch Comp.		7	GB/70+GB93+GB97	Screw M5×12	1
1	CG260A. 1A. 1	Clutch Drum Comp.	1	8	GB/70+GB93+GB97	Screw M5×25	2
2	GB/T893. 1	Stop Ring 35	1	9	CG305F. 14-4	Clamp A	1
3	GB/T276	Bearing 6202-2RZ/P6	1	10	CG305F. 14-3	Clamp B	1
4	GB/T894. 1	Stop Ring 15	1	11	GB/70+GB93+GB97	Screw M6×20	4
5	CG261. 1-1	Linker	1				
6	CG305F. 14-2	Rubber Cover	1				