



Parts Manual

Mfg. No: 1696617-03
M1024E, 9.5 Gross TP 24" Dual Stage
Snowthrower (2019)

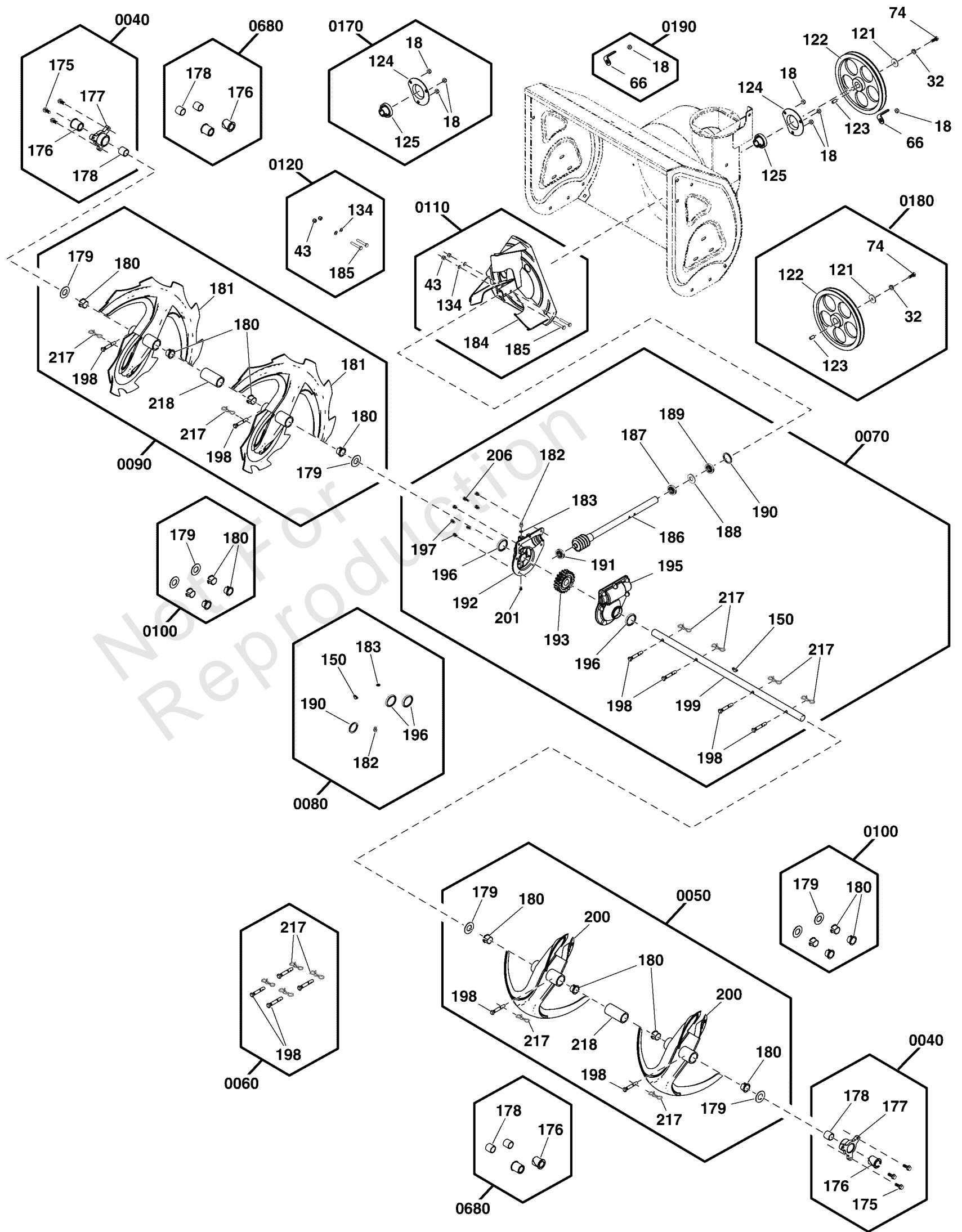
Model Components	Page
Auger Drive Group.....	4
Auger Housing Group.....	8
Controls Group.....	10
Decals Group.....	14
Discharge Chute Group.....	16
Engine & Frame Group.....	22
Handles Group.....	26
Transaxle Drive Group.....	28
Wheels & Tires Group.....	32
Torque Specification Chart.....	34

Not For
Reproduction

Auger Drive Group

Note: Unless noted otherwise, use the standard torque specifications

Mfg. No: 1696617-03



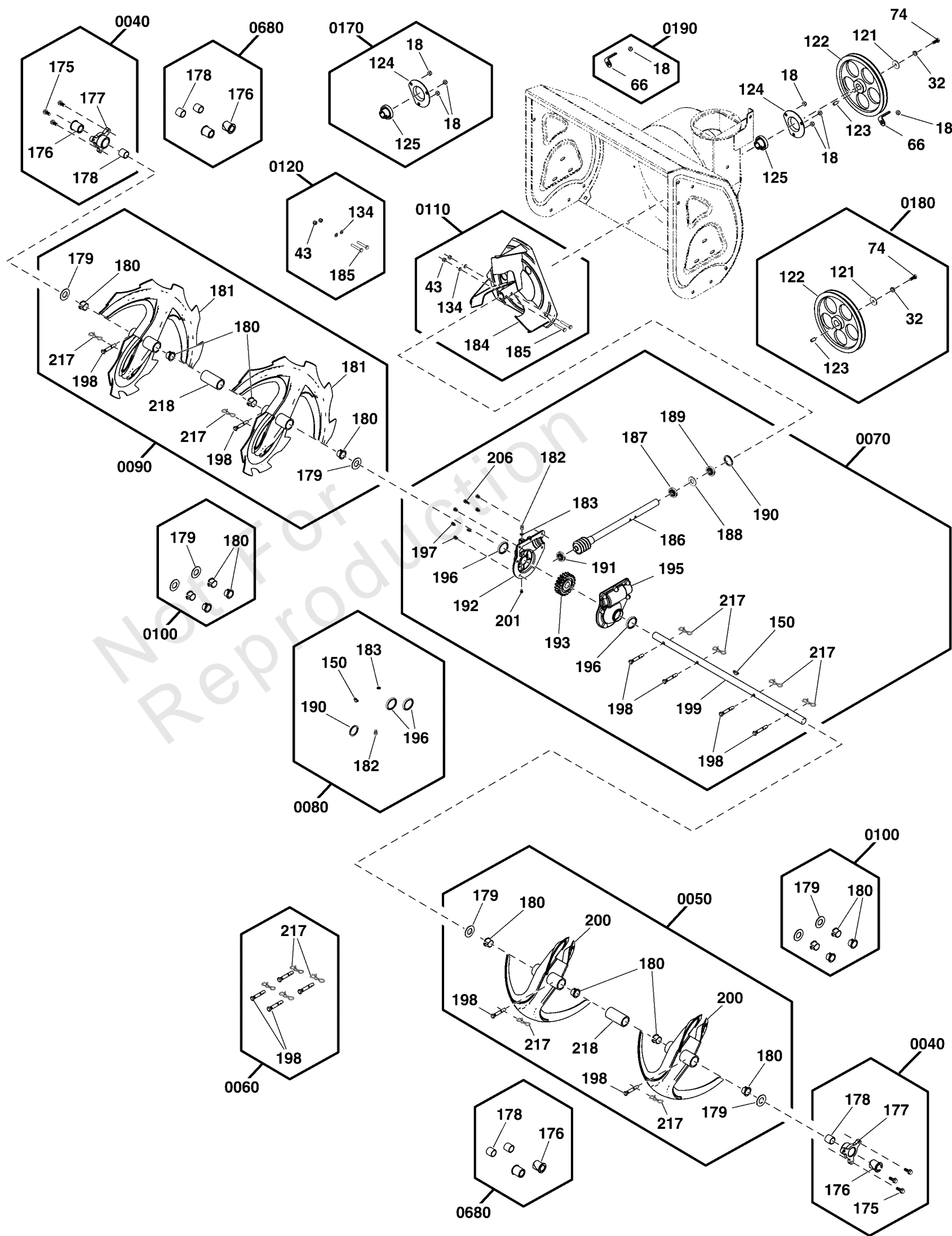
Auger Drive Group

REF NO	PART NO	QTY	DESCRIPTION
0040	707553	2	KIT, Mounting Plate, Auger Housing -(Incl. Ref. Nos. 175, 176, 177, 178)
175	-----	3	SCREW, Hex Head, M8 X 16
176	-----	1	BEARING, Auger Shaft
177	-----	1	RETAINER, Auger Shaft
178	-----	1	BEARING, Sleeve
0050	84003701		KIT, Auger Assembly, Left -(Incl. Ref. Nos. 179, 180, 198, 200, 217, 218)
179	-----	2	WASHER, Flat
180	-----	4	BEARING, Auger Shaft
198	-----	2	PIN, Shear
200	-----	2	AUGER, 24", Left, Black
217	-----	2	PIN, Cotter
218	-----	1	SLEEVE, Auger Shaft
0060	84003702	1	KIT, SHEAR PIN, AUGER -(Incl. Ref. Nos. 198, 217)
198	-----	4	PIN, Shear
217	-----	4	PIN, Cotter
0070	84003700	1	KIT, Gear Box, Auger -(Incl. Ref. Nos. 150, 182, 183, 186, 187, 188, 189, 190, 191, 192, 193, 195, 196, 197, 198, 199, 201, 206, 217)
150	-----	1	KEY, WOODRUFF
182	-----	1	ZERK, Grease Fitting
183	-----	1	WASHER, Wave
186	-----	1	SHAFT, Impeller, Wormgear
187	-----	1	BEARING
188	-----	1	WASHER, Flat
189	-----	1	BEARING
190	-----	1	SEAL, Oil
191	-----	1	BEARING
192	-----	1	GEAR CASE, Right
193	-----	1	GEAR, Worm
195	-----	1	GEAR CASE, Left
196	-----	2	SEAL, Oil
197	-----	6	SCREW, Hex Head, M6 X 20
198	-----	4	PIN, Shear
199	-----	1	SHAFT, Auger Out
201	-----	1	BOLT, Phillips Head, M5 X 10
206	-----	1	BOLT, Hex, M6 X 25
217	-----	4	PIN, Cotter
0080	84001647	1	KIT, Seal, Gearbox -(Incl. Ref. Nos. 150, 182, 183, 190, 196)
150	-----	1	KEY, WOODRUFF
182	-----	1	ZERK, Grease Fitting
183	-----	1	WASHER, Wave
190	-----	1	SEAL, Oil
196	-----	2	SEAL, Oil
0090	84003868	1	KIT, Auger Assembly, Right -(Incl. Ref. Nos. 179, 180, 181, 198, 217)
179	-----	2	WASHER, Flat
180	-----	4	BEARING, Auger Shaft
181	-----	2	AUGER, 24", Right, Black
198	-----	2	PIN, Shear

Auger Drive Group

Note: Unless noted otherwise, use the standard torque specifications

Mfg. No: 1696617-03



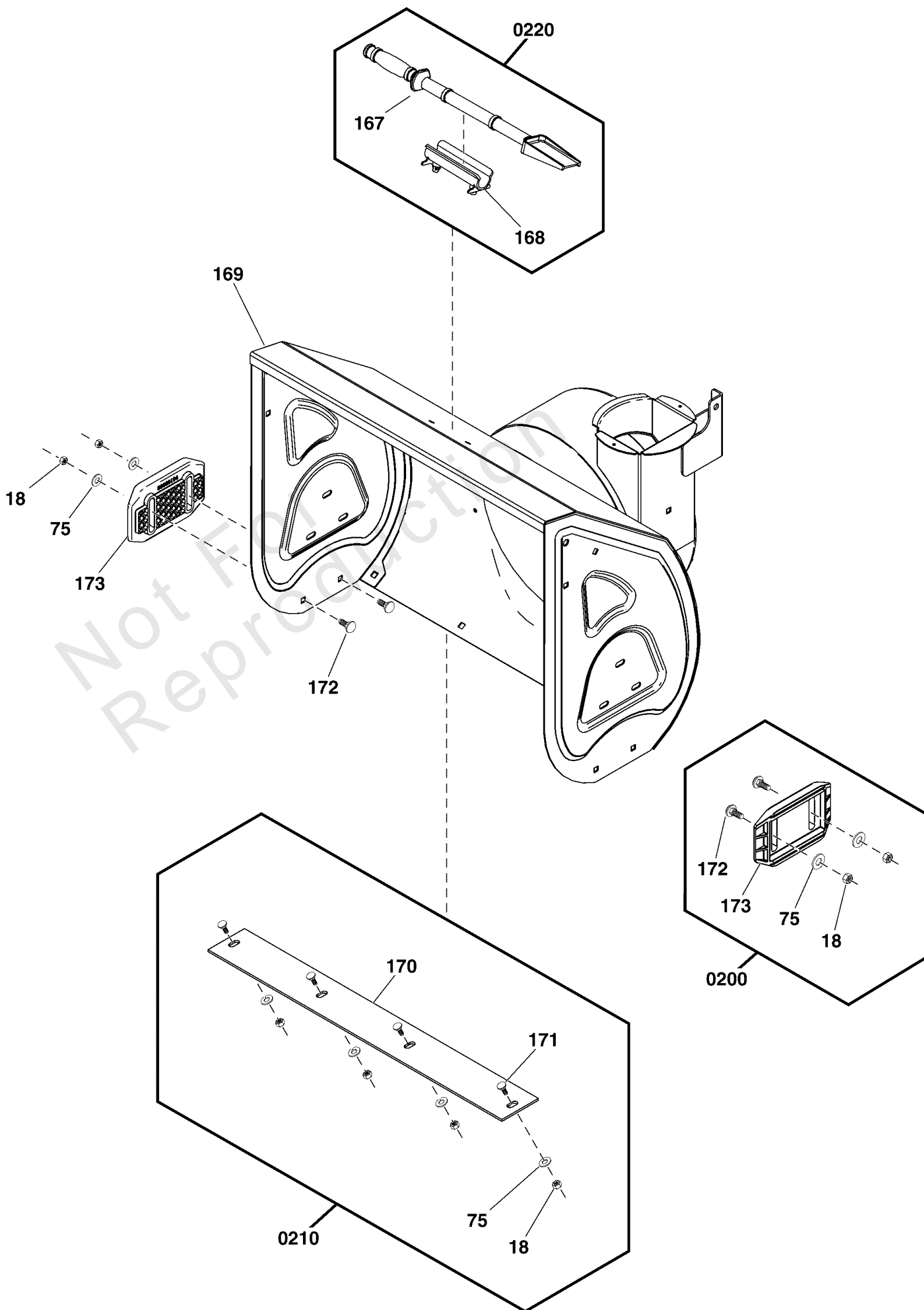
Auger Drive Group

REF NO	PART NO	QTY	DESCRIPTION
217	-----	2	PIN, Cotter
218	-----	1	SLEEVE, Auger Shaft
0100	84003703	2	KIT, Auger Shaft Hardware -(Incl. Ref. Nos. 179, 180)
179	-----	2	WASHER, Flat
180	-----	4	BEARING, Auger Shaft
0110	707560	1	KIT, Impeller Assembly -(Incl. Ref. Nos. 43, 134, 184, 185)
43	-----	2	NUT, Lock, M6
134	-----	2	WASHER, 6x12x.7, Flat
184	-----	1	IMPELLER
185	-----	2	BOLT, Hex, M6 X 38
0120	707561	1	KIT, Shear Pin, Impeller -(Incl. Ref. Nos. 18, 134, 185)
43	-----	2	NUT, Lock, M6
134	-----	2	WASHER, 6x12x.7, Flat
185	-----	2	BOLT, Hex, M6 X 38
0170	770800	1	KIT, Bearing Hardware, Auger Pulley -(Incl. Ref. Nos. 18, 124, 125)
18	-----	3	NUT, Lock, M8
124	-----	1	RETAINER, Ball Bearing
125	-----	1	BEARING, Ball
0180	707823	1	KIT, AUGER PULLEY -(Incl. Ref. Nos. 32, 74, 121, 122, 123)
32	-----	1	WASHER, Lock, M8
74	-----	1	SCREW, Hex Head, M8X20
121	-----	1	WASHER, Flat, 8 X 28 X 2
122	-----	1	PULLEY, Driven
123	-----	1	KEY, Flat, 6 X 6 X 17
0190	707547	1	KIT, BELT GUIDE, AUGER -(Incl. Ref. Nos. 18, 66)
18	-----	1	NUT, Lock, M8
66	-----	1	GUIDE, Belt
0680	707552	1	KIT, Bearing, Mounting Plate -(Incl. Ref. Nos. 176, 178)
176	-----	2	BEARING, Auger Shaft
178	-----	2	BEARING, Sleeve

Auger Housing Group

Note: Unless noted otherwise, use the standard torque specifications

Mfg. No: 1696617-03



Auger Housing Group

REF NO	PART NO	QTY	DESCRIPTION
169	-----	1	AUGER HOUSING, 24", Red -(Refer to Note:*)
0200	84003710	1	KIT, Skid Shoe -(Incl. Ref. Nos. 18, 75, 172, 173)
18	-----	4	NUT, Lock, M8
75	-----	4	WASHER, 8x22x2, Flat
172	-----	4	BOLT, Carriage, M8 X 25
173	-----	2	SHOE, Skid, Reversible
0210	84003707	1	KIT, Scraper Bar -(Incl. Ref. Nos. 18, 75, 170, 171)
18	-----	4	NUT, Lock, M8
75	-----	4	WASHER, 8x22x2, Flat
170	-----	1	BLADE, Scraper, 24"
171	-----	4	BOLT, Carriage, M8 X 18
0220	707549	1	KIT, CLEANOUT BRUSH STICK -(Incl. Ref. Nos. 167, 168)
167	-----	1	SHOVEL, Cleanout
168	-----	1	CLAMP, Cleanout

Not For
Reproduction

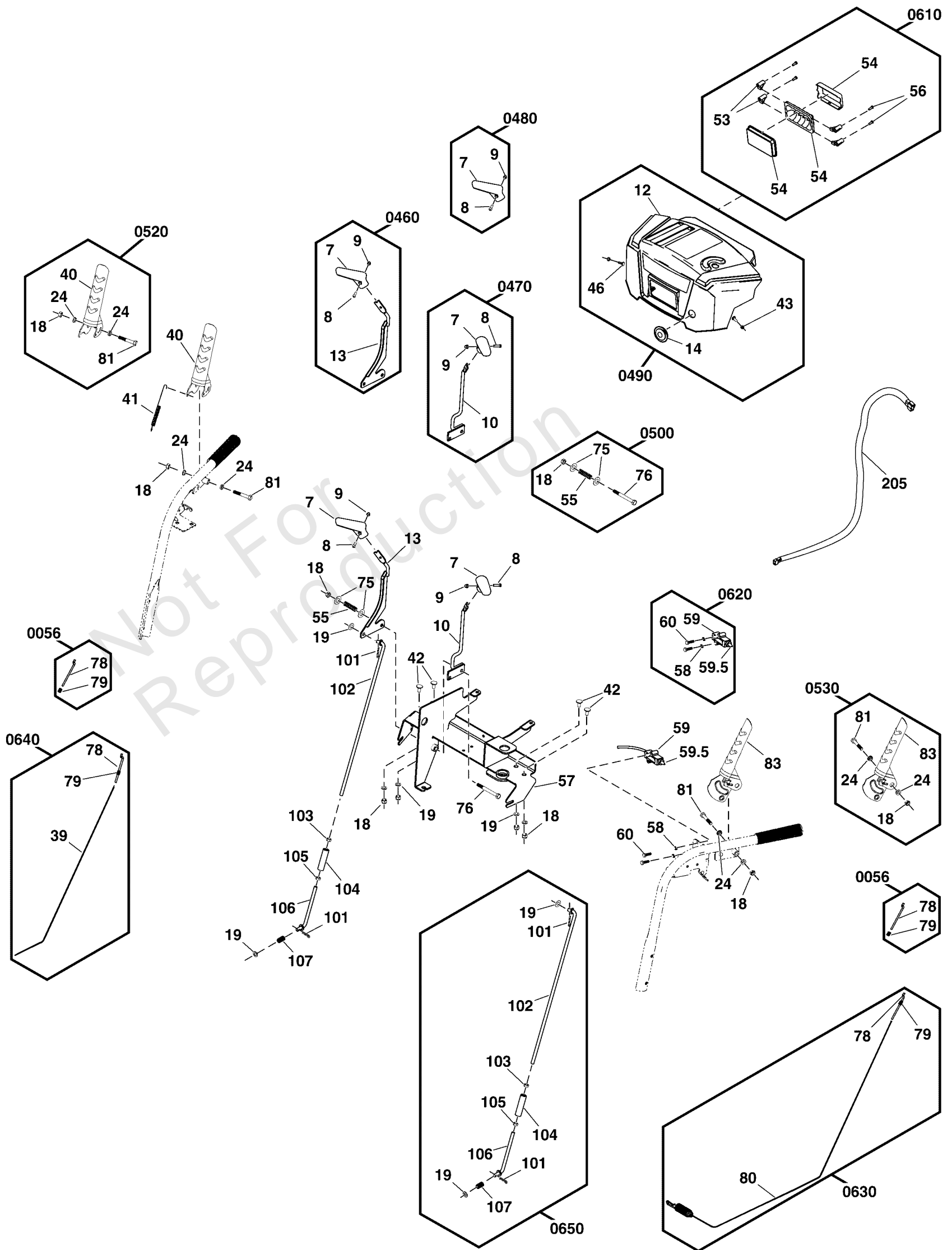
Footnotes:

Note:* Not a serviceable part.

Controls Group

Note: Unless noted otherwise, use the standard torque specifications

Mfg. No: 1696617-03



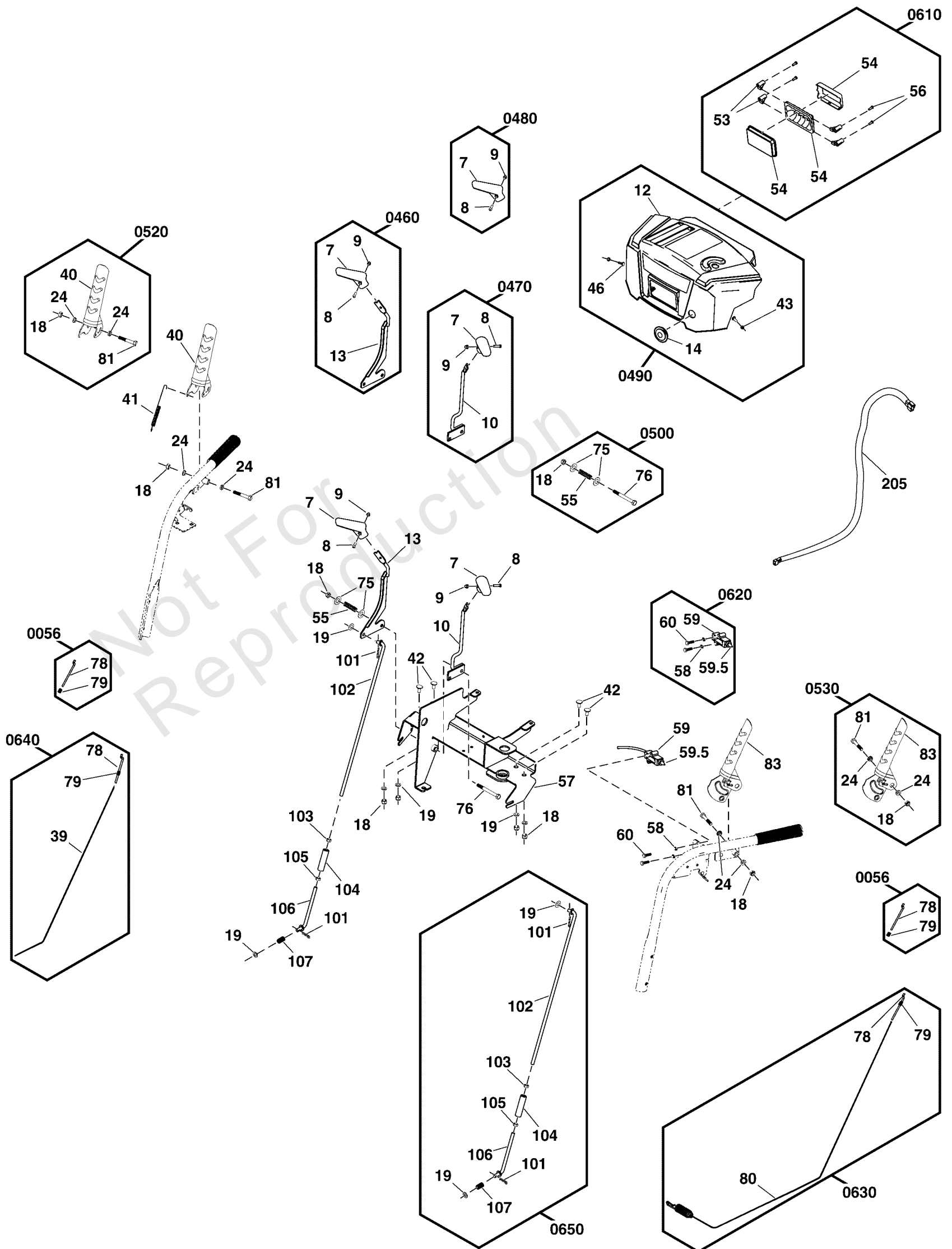
Controls Group

REF NO	PART NO	QTY	DESCRIPTION
41	707877	1	SPRING, Handle
42	-----	4	BOLT, Carriage, M8 X 18
57	-----	1	PANEL, Dash
205	707637	1	HARNESS, Wiring
0056	770785	2	KIT, Cable, Hardware -(Incl. Ref. Nos. 78, 79)
78	-----	1	ROD, Cable
79	-----	1	NUT, Copper
0460	84003853	1	KIT, Lever, Speed -(Incl. Ref. Nos. 7, 8, 9, 13)
7	-----	1	KNOB, Slot Speed
8	-----	1	SCREW, Phillips Head, M5
9	-----	1	NUT, Acorn, M5
13	-----	1	LEVER ASSEMBLY, Speed
0470	84003854	1	KIT, Lever, Discharge Chute -(Incl. Ref. Nos. 7, 8, 9, 10)
7	-----	1	KNOB, Slot Speed
8	-----	1	SCREW, Phillips Head, M5
9	-----	1	NUT, Acorn, M5
10	-----	1	LEVER ASSEMBLY, Deflector
0480	84003852	1	KIT, Knob, Lever -(Incl. Ref. Nos. 7, 8, 9)
7	-----	1	KNOB, Slot Speed
8	-----	1	SCREW, Phillips Head, M5
9	-----	1	NUT, Acorn, M5
0490	84003850	1	ASSEMBLY, Dash -(Incl. Ref. Nos. 12, 14, 43, 46)
12	-----	1	PANEL, Red
14	-----	1	BUSHING, Rotation Rod, Dash
43	-----	2	NUT, Lock, M6
46	-----	2	BOLT, Carriage, M6X16
0500	707507	1	KIT, Hardware, Speed & Discharge -(Incl. Ref. Nos. 18, 55, 75, 76)
18	-----	1	NUT, Lock, M8
55	-----	1	SPRING, Lever Assembly
75	-----	2	WASHER, 8x22x2, Flat
76	-----	1	SCREW, Hex Head, M8 X 70
0520	770771	1	KIT, Right Hand Lever (Traction Drive) -(Incl. Ref. Nos. 18, 24, 40, 81)
18	-----	1	NUT, Lock, M8
24	-----	2	SPACER, Idler Plate, Small
40	-----	1	LEVER, Clutch, Right
81	-----	1	SCREW, Hex Head, M8 X 60
0530	770772	1	KIT, Left Hand Lever (Auger Drive) -(Incl. Ref. Nos. 18, 24, 81, 83)
18	-----	1	NUT, Lock, M8
24	-----	2	SPACER, Idler Plate, Small
81	-----	1	SCREW, Hex Head, M8 X 60
83	-----	1	LEVER, Clutch, Left
0610	84003849	1	KIT, Headlight -(Incl. Ref. Nos. 53, 54, 56)
53	-----	4	CLAMP, Light
54	-----	1	ASSEMBLY, Light
56	-----	4	SCREW, Phillips Head, ST4, 2 X 14

Controls Group

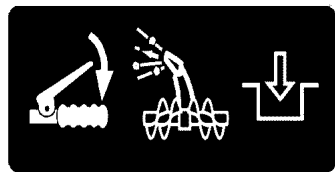
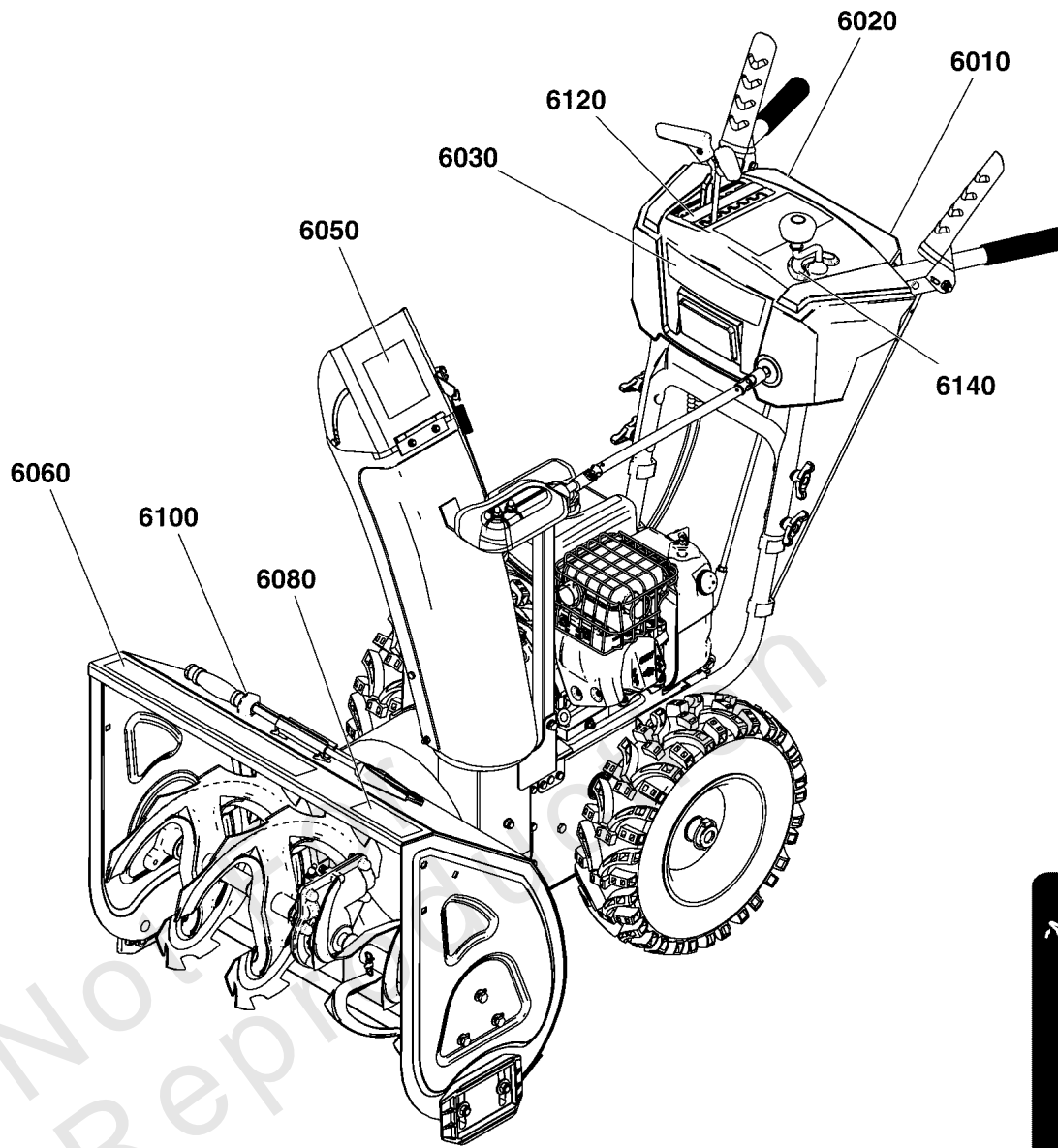
Note: Unless noted otherwise, use the standard torque specifications

Mfg. No: 1696617-03

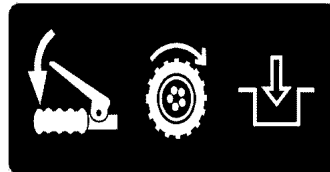


Controls Group

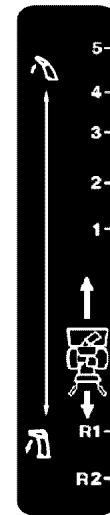
REF NO	PART NO	QTY	DESCRIPTION
0620	707521	1	KIT, Free Hand Control Assembly -(Incl. Ref. Nos. 58, 59, 59.5, 60)
58	-----	2	WASHER, M6, Split Lock, MC
59	-----	1	BODY, Free Hand Control
59.5	-----	1	CABLE, Free Hand Control
60	-----	2	SCREW, Hex Head, M6 X 20
0630	84003856	1	KIT, Cable, Auger Drive -(Incl. Ref. Nos. 78, 79, 80)
78	-----	1	ROD, Cable
79	-----	1	NUT, Copper
80	-----	1	CABLE, Auger Drive
0640	84003855	1	KIT, Cable, Traction Drive -(Incl. Ref. Nos. 39, 78, 79)
39	-----	1	CABLE, Traction Drive
78	-----	1	ROD, Cable
79	-----	1	NUT, Copper
0650	770787	1	KIT, Traction Drive Rod -(Incl. Ref. Nos. 19, 101, 102, 103, 104, 105, 106, 107)
19	-----	2	WASHER, Flat, 8 X 16 X 1.2
101	-----	2	PIN, Hair, Cotter
102	-----	1	ROD, Speed Select, Upper
103	-----	1	NUT, Hex, M8
104	-----	1	SLEEVE, Adjustment, M8
105	-----	1	NUT, Hex, M8
106	-----	1	ROD, Speed Select, Lower
107	-----	1	SPRING, Speed Select



6010



6020



6120



6030



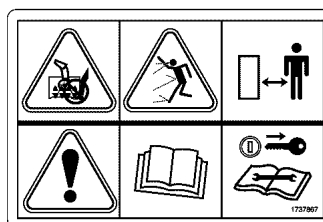
6050



6060



6080



6100



6140

Decals Group

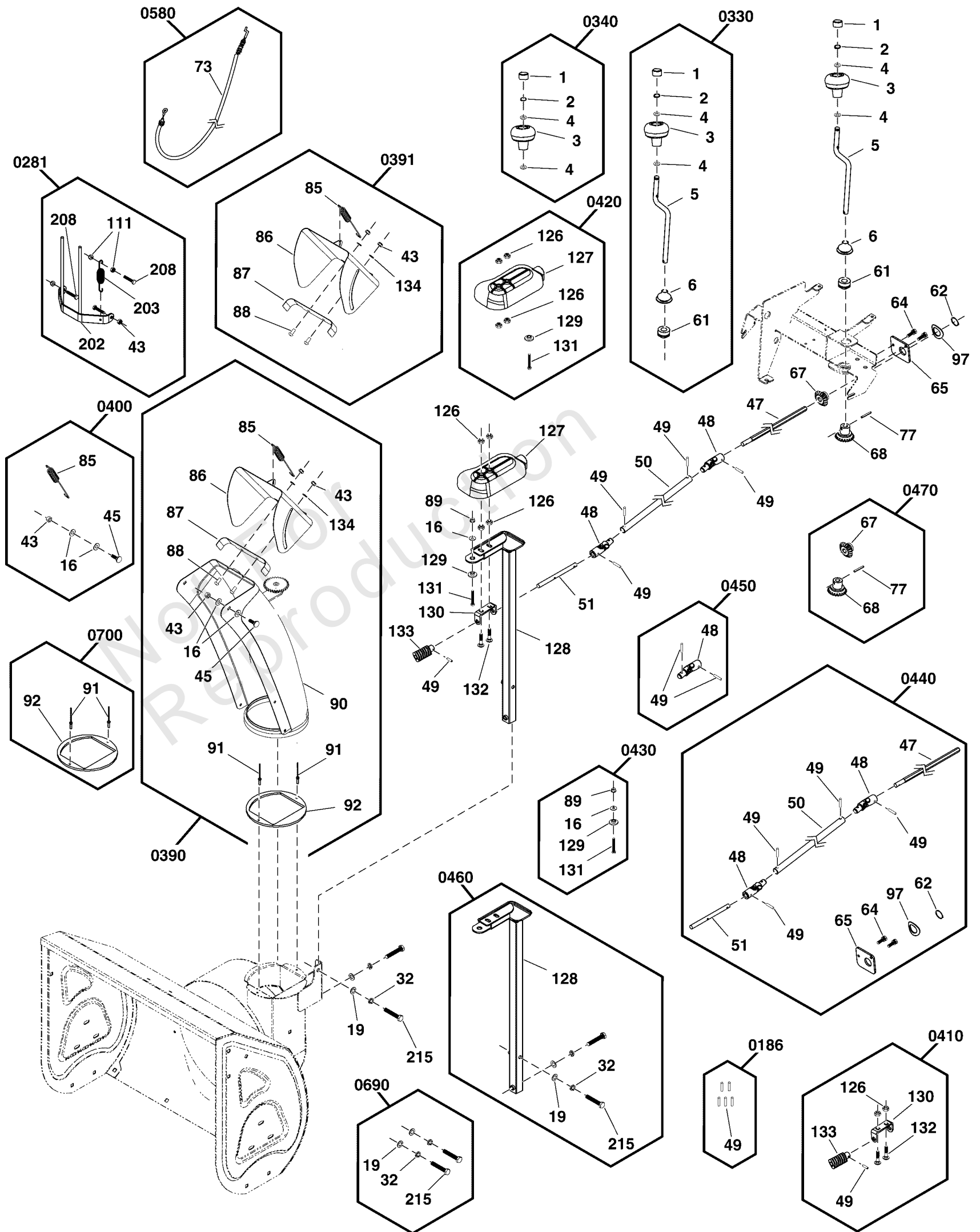
REF NO	PART NO	QTY	DESCRIPTION
6010	771843	1	DECAL, Auger Control
6020	771844	1	DECAL, Traction Control
6030	84003807	1	DECAL, Brand
6050	1727207SM	1	DECAL, Chute Warning, Export
6060	1755403YP	1	DECAL, Snapper Logo, 1.8" x 7.23"
6080	84003808	1	DECAL, Model
6100	1737867YP	1	DECAL, Danger Auger Icons
6120	771859	1	DECAL, 1-6 Transmission Speed Control
6140	771861	1	DECAL, Chute Rotation

Not For Reproduction

Discharge Chute Group

Note: Unless noted otherwise, use the standard torque specifications

Mfg. No: 1696617-03



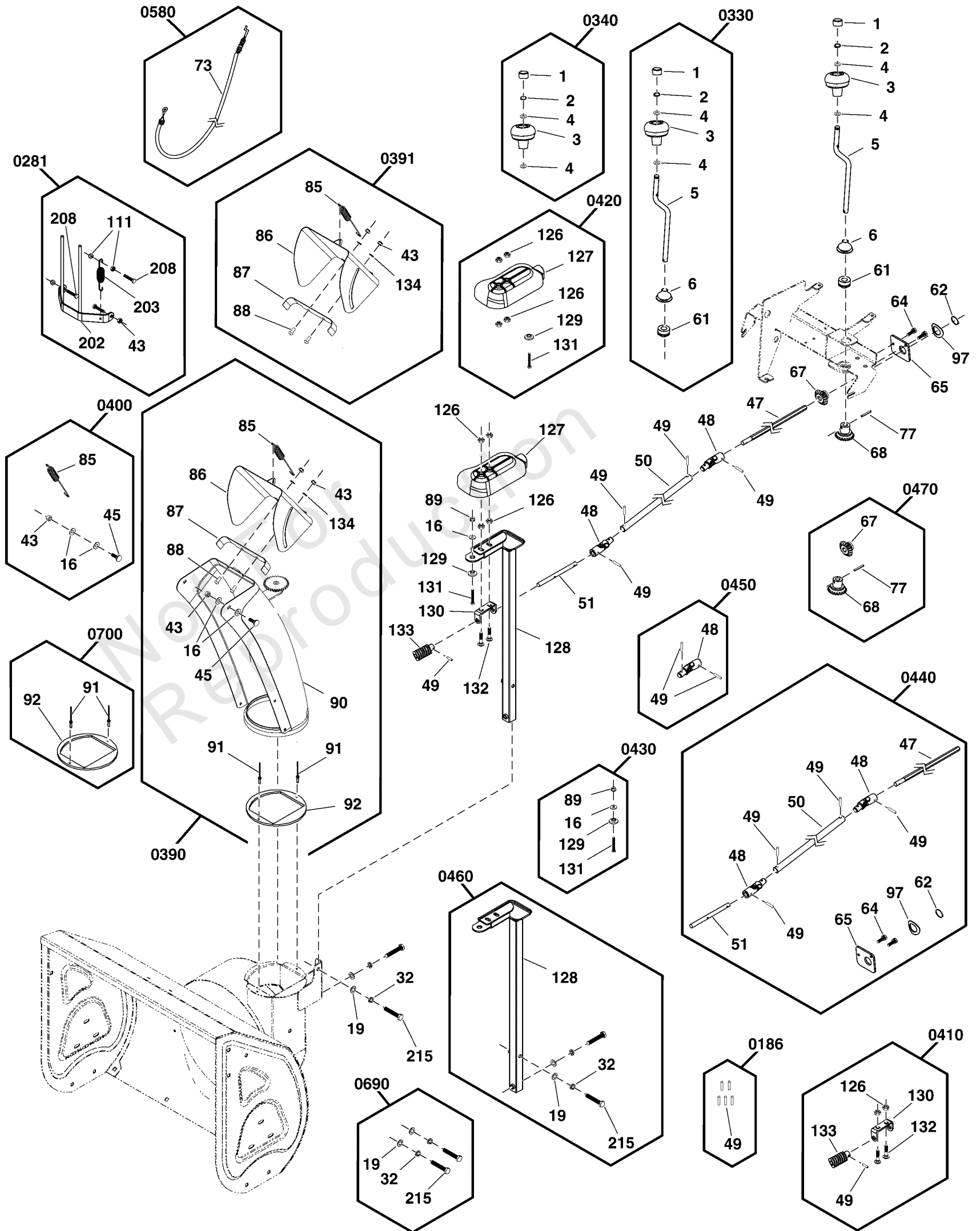
Discharge Chute Group

REF NO	PART NO	QTY	DESCRIPTION
0186	771921	1	KIT, Spring Pin, 4 X 20 -(Incl. Ref. No. 49)
49	-----	5	PIN, 4 X 20, Spring
0281	84003650	1	KIT, Chute Guard -(Incl. Ref. Nos. 43, 111, 202, 203, 208)
43	-----	2	NUT, Lock, M6
111	-----	2	NUT, HEX FLANGE HEAD, M6
202	-----	1	GUARD, Chute
203	-----	1	SPRING, Extension
208	-----	3	SCREW, Hex Head, M6X16
0330	707503	1	KIT, Chute Rotation -(Incl. Ref. Nos. 1, 2, 3, 4, 5, 6, 61)
1	-----	1	KNOB, Cover
2	-----	1	RING, External Retaining, 10
3	-----	1	KNOB, Chute Rotator
4	-----	2	WASHER, Flat, 10 X 20 X 1
5	-----	1	ROD, Chute Rotation
6	-----	1	BUSHING, Chute Rotation
61	-----	1	BUSHING, Rotation Rod
0340	707502	1	KIT, Chute Knob -(Incl. Ref. Nos. 1, 2, 3, 4)
1	-----	1	KNOB, Cover
2	-----	1	RING, External Retaining, 10
3	-----	1	KNOB, Chute Rotator
4	-----	2	WASHER, Flat, 10 X 20 X 1
0390	84003715	1	KIT, Chute Assembly -(Incl. Ref. Nos. 16, 43, 45, 85, 86, 87, 88, 90, 91, 92, 134)
16	-----	2	WASHER, 6 X 18 X 1.5, Flat
43	-----	3	NUT, Lock, M6
45	-----	1	SCREW, Shoulder, M6 X 10
85	-----	1	SPRING, Extension
86	-----	1	DEFLECTOR, Chute
87	-----	1	GASKET, Chute Deflector
88	-----	2	BOLT, Button Head Socket, M6 X 13
90	-----	1	CHUTE
91	-----	2	RIVET, 4 X 13
92	-----	1	ADAPTER, Chute Ring
134	-----	2	WASHER, 6x12x.7, Flat
0391	84003714	1	KIT, Chute Deflector -(Incl. Ref. Nos. 43, 85, 86, 87, 88, 134)
43	-----	2	NUT, Lock, M6
85	-----	1	SPRING, Extension
86	-----	1	DEFLECTOR, Chute
87	-----	1	GASKET, Chute Deflector
88	-----	2	BOLT, Button Head Socket, M6 X 13
134	-----	2	WASHER, 6x12x.7, Flat
0400	707563	1	KIT, Spring, Chute -(Incl. Ref. Nos. 16, 43, 45, 85)
16	-----	2	WASHER, 6 X 18 X 1.5, Flat
43	-----	1	NUT, Lock, M6
45	-----	1	SCREW, Shoulder, M6 X 10
85	-----	1	SPRING, Extension
0410	707543	1	KIT, Worm Gear Hardware, Chute -(Incl. Ref. Nos. 49, 126, 130, 132, 133)

Discharge Chute Group

Note: Unless noted otherwise, use the standard torque specifications

Mfg. No: 1696617-03



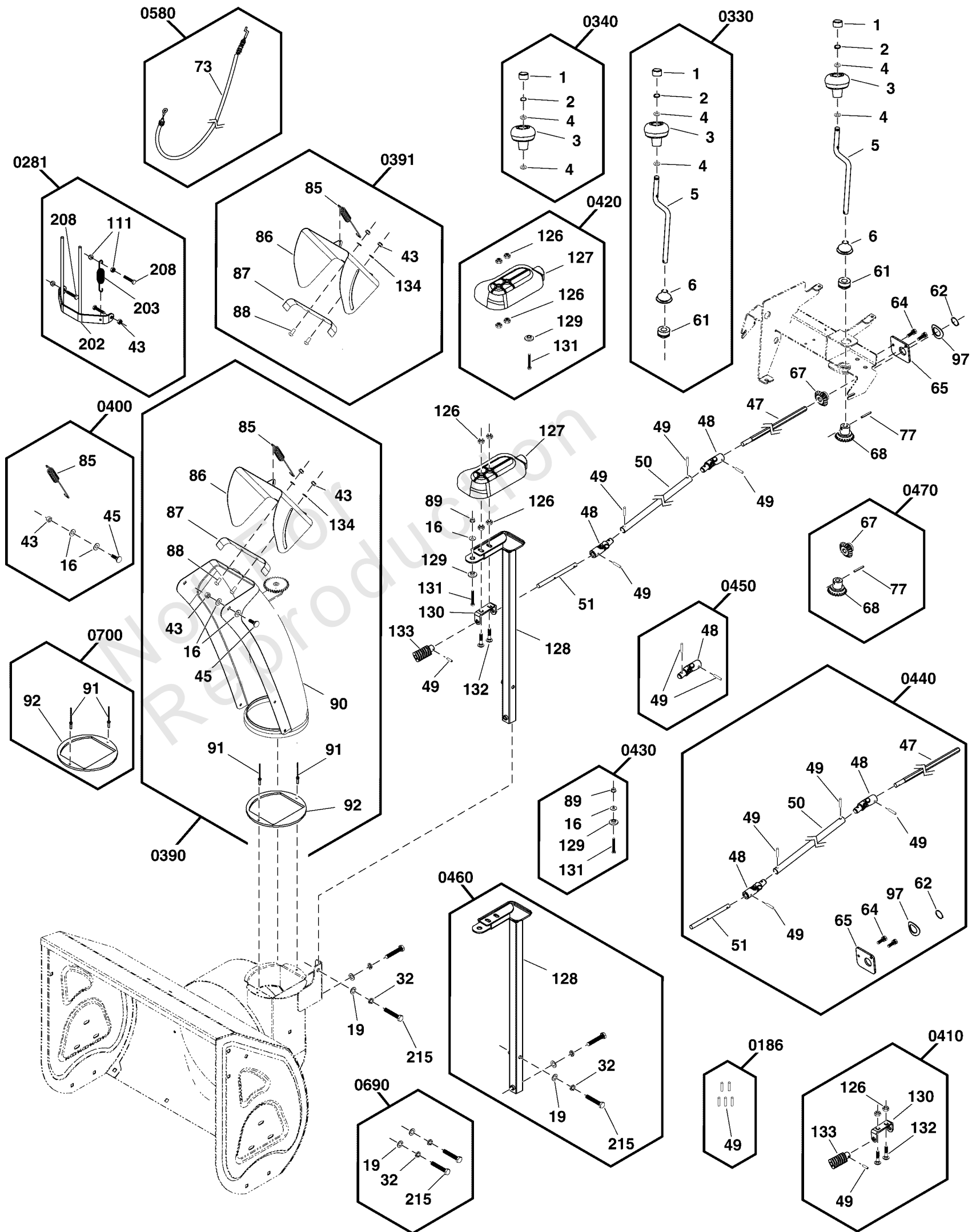
Discharge Chute Group

REF NO	PART NO	QTY	DESCRIPTION
49	-----	1	PIN, 4 X 20, Spring
126	-----	2	NUT, Hex Flange Head, M8
130	-----	1	BRACKET, Chute Rotation, Worm
132	-----	2	BOLT, Carriage, M8 X 30
133	-----	1	GEAR, Chute Rotation, Worm
0420	707544	1	KIT, Cover, Chute Rotation -(Incl. Ref. Nos. 126, 127, 129, 131)
126	-----	4	NUT, Hex Flange Head, M8
127	-----	1	COVER, Chute Rotation
129	-----	1	SPACER, Chute Rotation Bracket
131	-----	1	SCREW, Hex Head, M6 X 45
0430	771893	1	KIT, Bracket, Chute Rotation Hardware -(Incl. Ref. Nos. 16, 89, 129, 131)
16	-----	1	WASHER, 6 X 18 X 1.5, Flat
89	-----	1	NUT, Lock, Hex Flange Head, M6
129	-----	1	SPACER, Chute Rotation Bracket
131	-----	1	SCREW, Hex Head, M6 X 45
0440	84003717	1	KIT, Chute Rotation Rod -(Incl. Ref. Nos. 47, 48, 49, 50, 51, 62, 64, 65, 97)
47	-----	1	ROD, Chute Rotation, Driven
48	-----	2	UNIVERSAL JOINT
49	-----	4	PIN, 4 X 20, Spring
50	-----	1	ROD, Chute Rotation, Connecting
51	-----	1	ROD, Chute Rotation, Worm
62	-----	1	RING, External Retaining, 20
64	-----	2	SCREW, Hex Washer Head, M6 X 12
65	-----	1	PLATE, Rotation Rod, Bevel Gear
97	-----	1	WASHER, Wave, 20
0450	707524	2	KIT, Cardan Joint -(Incl. Ref. Nos. 48, 49)
48	-----	1	UNIVERSAL JOINT
49	-----	2	PIN, 4 X 20, Spring
0460	84003716	1	KIT, Chute Rotation Bracket -(Incl. Ref. Nos. 19, 32, 128, 215)
19	-----	2	WASHER, Flat, 8 X 16 X 1.2
32	-----	2	WASHER, Lock, M8
128	-----	1	BRACKET, Chute Rotation Upper
215	-----	2	SCREW, Hex Head, M8 X 45
0470	770774	1	KIT, Bevel Gear, Chute Rotation -(Incl. Ref. Nos. 67, 68, 77)
67	-----	1	GEAR, Bevel
68	-----	1	GEAR, Bevel
77	-----	1	PIN, Spring, 4 X 28
0580	771734	1	KIT, Cable-Chute Deflector -(Incl. Ref. No. 73)
73	-----	1	CABLE, Deflector Control
0690	771996	1	KIT, Bracket, Chute Rotation Hardware -(Incl. Ref. Nos. 19, 32, 215)
19	-----	2	WASHER, Flat, 8 X 16 X 1.2
32	-----	2	WASHER, Lock, M8
215	-----	2	SCREW, Hex Head, M8 X 45
0700	84002905	1	KIT, Hardware, Chute Rotation -(Incl. Ref. Nos. 91, 92)
91	-----	2	RIVET, 4 X 13

Discharge Chute Group

Note: Unless noted otherwise, use the standard torque specifications

Mfg. No: 1696617-03



Discharge Chute Group

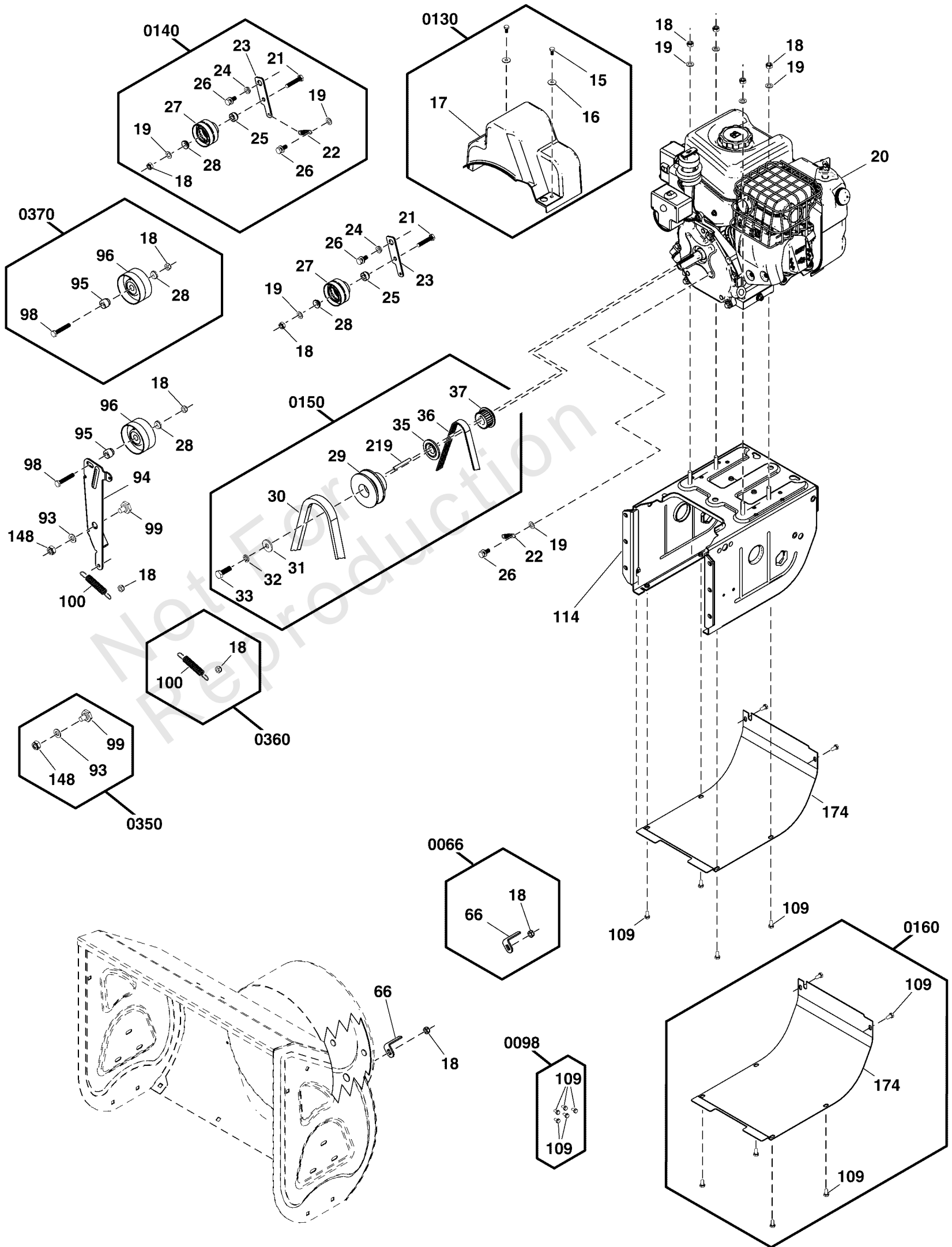
REF NO	PART NO	QTY	DESCRIPTION
92	-----	1	ADAPTER, Chute Ring

Not For Reproduction

Engine & Frame Group

Note: Unless noted otherwise, use the standard torque specifications

Mfg. No: 1696617-03



Engine & Frame Group

REF NO	PART NO	QTY	DESCRIPTION
20	13A137-0010-F1	1	*ENGINE, Briggs & Stratton -(Engine Model: 13A137-0010-F1) (Refer to Note: *)
94	770804	1	IDLER, Auger
114	-----	1	MOTOR BOX ASSEMBLY, Red -(Refer to Note: **)
0066	84003843	1	KIT, Belt Guide -(Incl. Ref. No. 18, 66)
18	-----	1	NUT, Lock, M8
66	-----	1	GUIDE, Belt
0098	771904	6	KIT, Hardware -(Incl. Ref. No. 109)
109	-----	5	SCREW, Hex Head W/ Flat Washer, M6 X 12
0130	84003838	1	KIT, Belt Cover -(Incl. Ref. Nos. 15, 16, 17)
15	-----	2	SCREW, Hex Head, M6 X 12
16	-----	2	WASHER, 6 X 18 X 1.5, Flat
17	-----	1	COVER, Belt
0140	770795	1	KIT, Idler Pulley, Traction Drive -(Incl. Ref. Nos. 18, 19, 21, 22, 23, 24, 25, 26, 27, 28)
18	-----	1	NUT, Lock, M8
19	-----	1	WASHER, Flat, 8 X 16 X 1.2
21	-----	1	SCREW, Hex Head, M8 X 40
22	-----	1	SPRING, Idler
23	-----	1	BRACKET, Idler
24	-----	1	SPACER, Idler Plate, Small
25	-----	1	SPACER, Idler Pulley
26	-----	2	SCREW, Hex Flange Head, M8 X 20
27	-----	1	PULLEY, Idler
28	-----	1	SPACER, Idler Pulley
0150	84003841	1	KIT, Drive Pulley, Traction Drive -(Incl. Ref. Nos. 29, 30, 31, 32, 33, 35, 36, 37, 219)
29	-----	1	PULLEY, Auger
30	707584	1	BELT, Auger Drive
31	-----	1	WASHER, Flat, 8 X 28 X 3
32	-----	1	WASHER, Lock, M8
33	-----	1	SCREW, Hex Head, M8 X 30
35	-----	1	SPACER, Belt Wheel
36	707585	1	BELT, Traction Drive
37	-----	1	PULLEY, Drive
219	84004762	1	KEY, Flat, 5 X 4.7 X 50
0160	84003840	1	KIT, Bottom Cover -(Incl. Ref. Nos. 109, 174)
109	-----	6	SCREW, Hex Head W/ Flat Washer, M6 X 12
174	-----	1	COVER, Bottom
0350	707565	1	KIT-HARDWARE, IDLER BRACKET -(Incl. Ref. Nos. 93, 99, 148)
93	-----	1	WASHER, Flat, 10 X 20 X 2
99	-----	1	SCREW, Hex Head, M10 X 13
148	-----	1	NUT, Lock, M10
0360	84003839	1	SPRING, Idler Pulley -(Incl. Ref. Nos. 18, 100)

Footnotes:

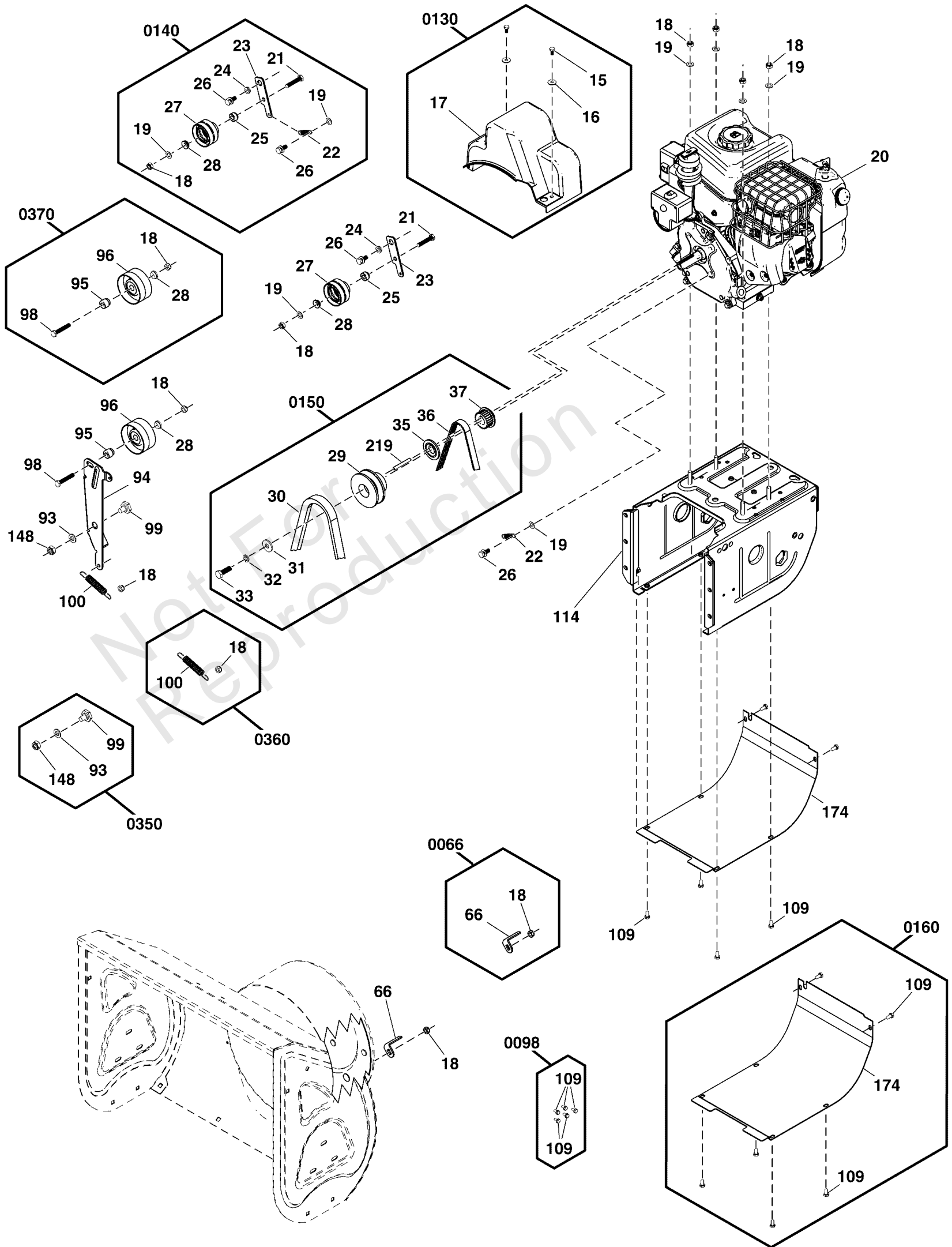
Note:** Not a serviceable part.

Note:* Refer to your local Briggs & Stratton distributor for parts and service.

Engine & Frame Group

Note: Unless noted otherwise, use the standard torque specifications

Mfg. No: 1696617-03



Engine & Frame Group

REF NO	PART NO	QTY	DESCRIPTION
18	-----	1	NUT, Lock, M8
100	-----	1	SPRING, Idler
0370	770807	1	KIT, Idler Pulley, Tension Plate -(Incl. Ref. Nos. 18, 19, 28, 95, 96, 98)
18	-----	1	NUT, Lock, M8
19	-----	1	WASHER, Flat, 8 X 16 X 1.2
28	-----	1	SPACER, Idler Pulley
95	-----	1	SPACER, Sleeve, Idler Pulley
96	-----	1	PULLEY, Idler
98	-----	1	SCREW, Hex Head, M8 X 45

Not For
Reproduction

Footnotes:

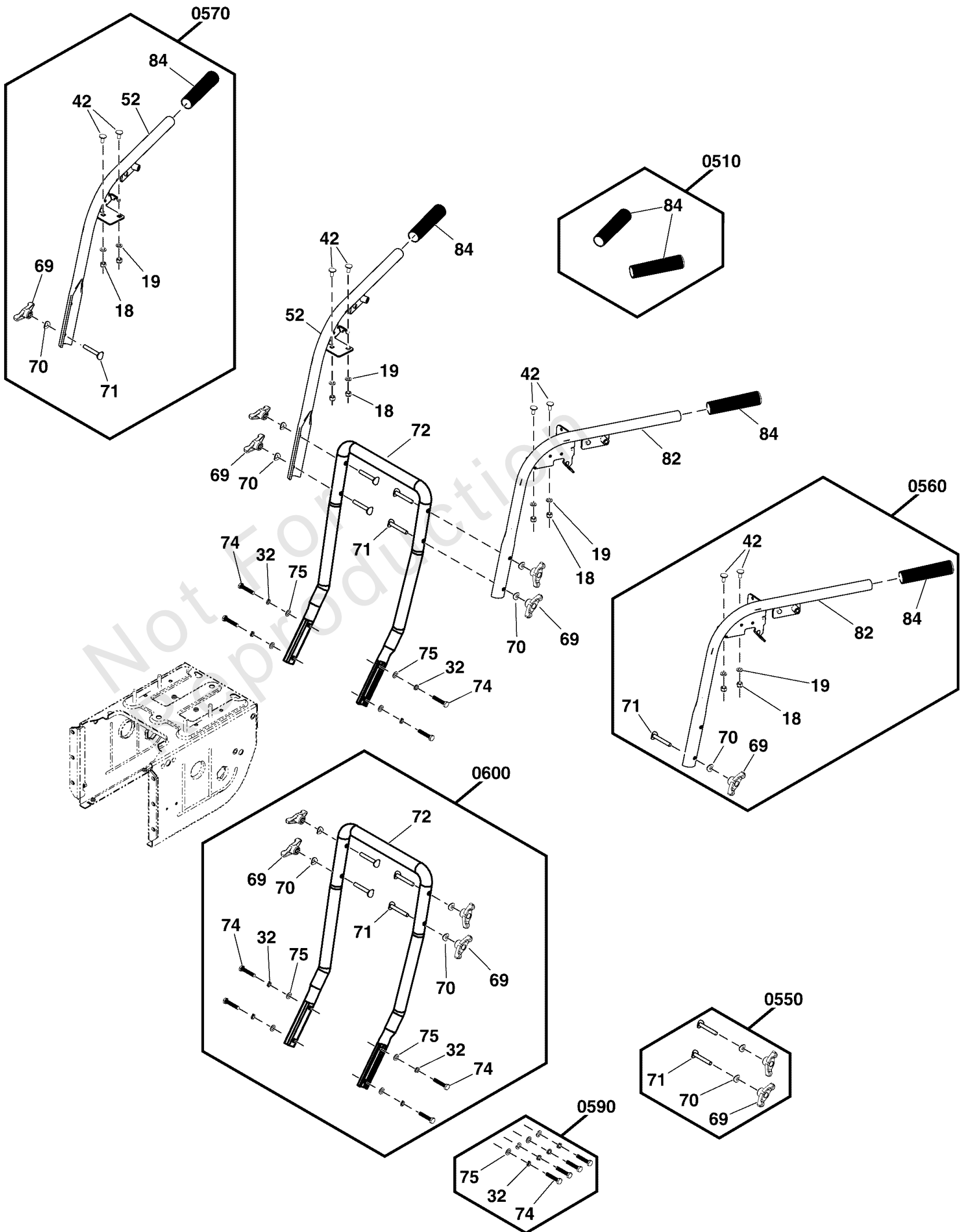
Note:** Not a serviceable part.

Note:* Refer to your local Briggs & Stratton distributor for parts and service.

Handles Group

Note: Unless noted otherwise, use the standard torque specifications

Mfg. No: 1696617-03



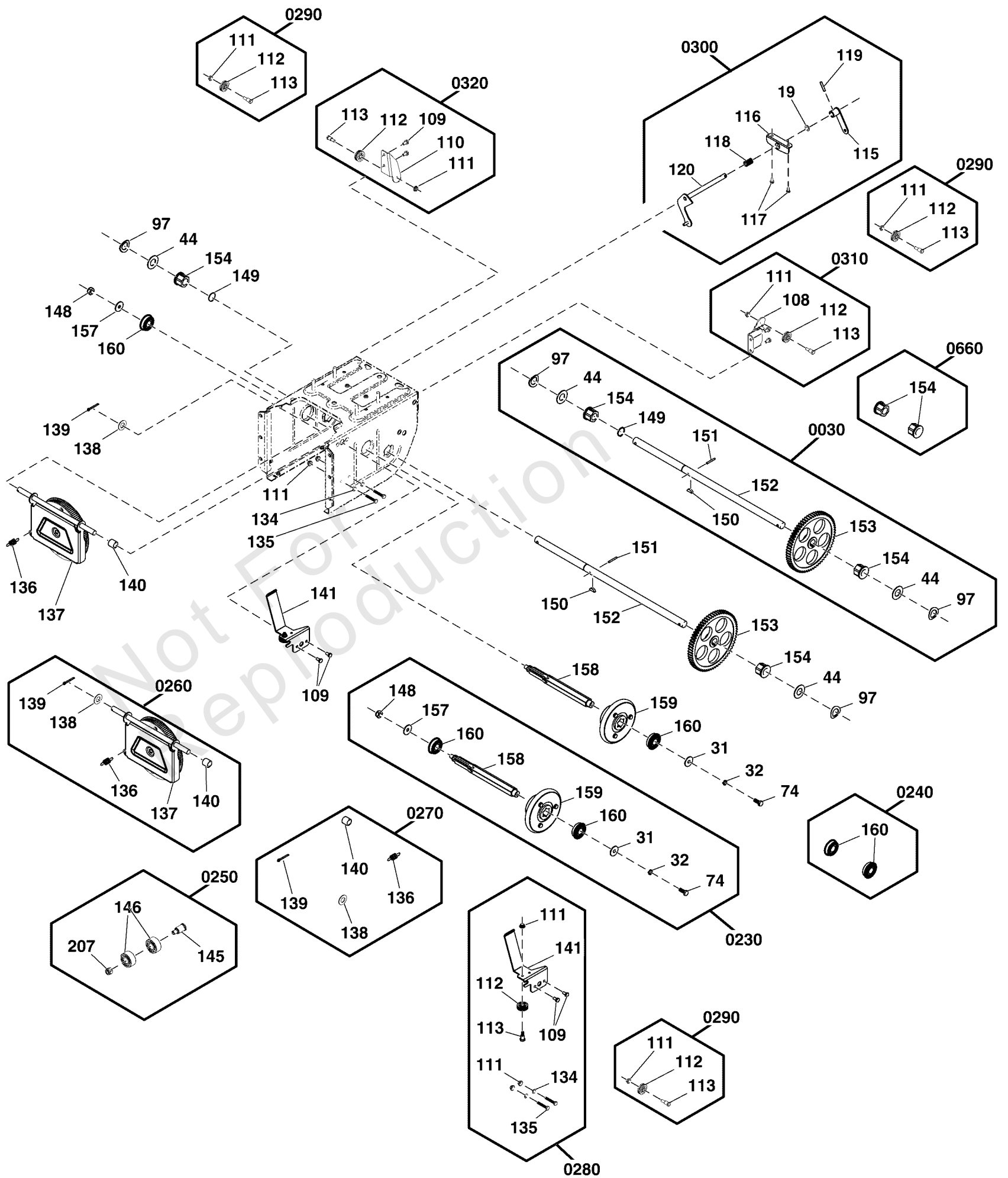
Handles Group

REF NO	PART NO	QTY	DESCRIPTION
0510	84003831	1	KIT, Grip, Handle -(Incl. Ref. No. 84)
84	-----	2	GRIP, Hand
0550	707513	2	KIT, Wing Knob, Handle -(Incl. Ref. Nos. 88, 89, 90)
69	-----	2	KNOB, Wing, M8
70	-----	2	WASHER, M8, Curved
71	-----	2	BOLT, Carriage, M8 X 55
0560	84003832	1	KIT, Upper Handle, Left -(Incl. Ref. Nos. 18, 19, 42, 69, 70, 71, 82)
18	-----	2	NUT, Lock, M8
19	-----	2	WASHER, Flat, 8 X 16 X 1.2
42	-----	2	BOLT, Carriage, M8 X 18
69	-----	1	KNOB, Wing, M8
70	-----	1	WASHER, M8, Curved
71	-----	1	BOLT, Carriage, M8 X 55
82	-----	1	HANDLE, Upper Left
84	-----	1	GRIP, Hand
0570	84003830	1	KIT, Upper Handle, Right -(Incl. Ref. Nos. 18, 19, 42, 52, 69, 70, 71)
18	-----	2	NUT, Lock, M8
19	-----	2	WASHER, Flat, 8 X 16 X 1.2
42	-----	2	BOLT, Carriage, M8 X 18
52	-----	1	HANDLE, Upper Right
69	-----	1	KNOB, Wing, M8
70	-----	1	WASHER, M8, Curved
71	-----	1	BOLT, Carriage, M8 X 55
84	-----	1	GRIP, Hand
0590	84003835	1	KIT, Lower Handle Hardware -(Incl. Ref. Nos. 32, 74, 75)
32	-----	4	WASHER, Lock, M8
74	-----	4	SCREW, Hex Head, M8X20
75	-----	4	WASHER, 8x22x2, Flat
0600	84003833	1	KIT, Lower Handle -(Incl. Ref. Nos. 32, 69, 70, 71, 72, 74, 75)
32	-----	4	WASHER, Lock, M8
69	-----	4	KNOB, Wing, M8
70	-----	4	WASHER, M8, Curved
71	-----	4	BOLT, Carriage, M8 X 55
72	-----	1	HANDLE, Lower
74	-----	4	SCREW, Hex Head, M8X20
75	-----	4	WASHER, 8x22x2, Flat

Transaxle Drive Group

Note: Unless noted otherwise, use the standard torque specifications

Mfg. No: 1696617-03



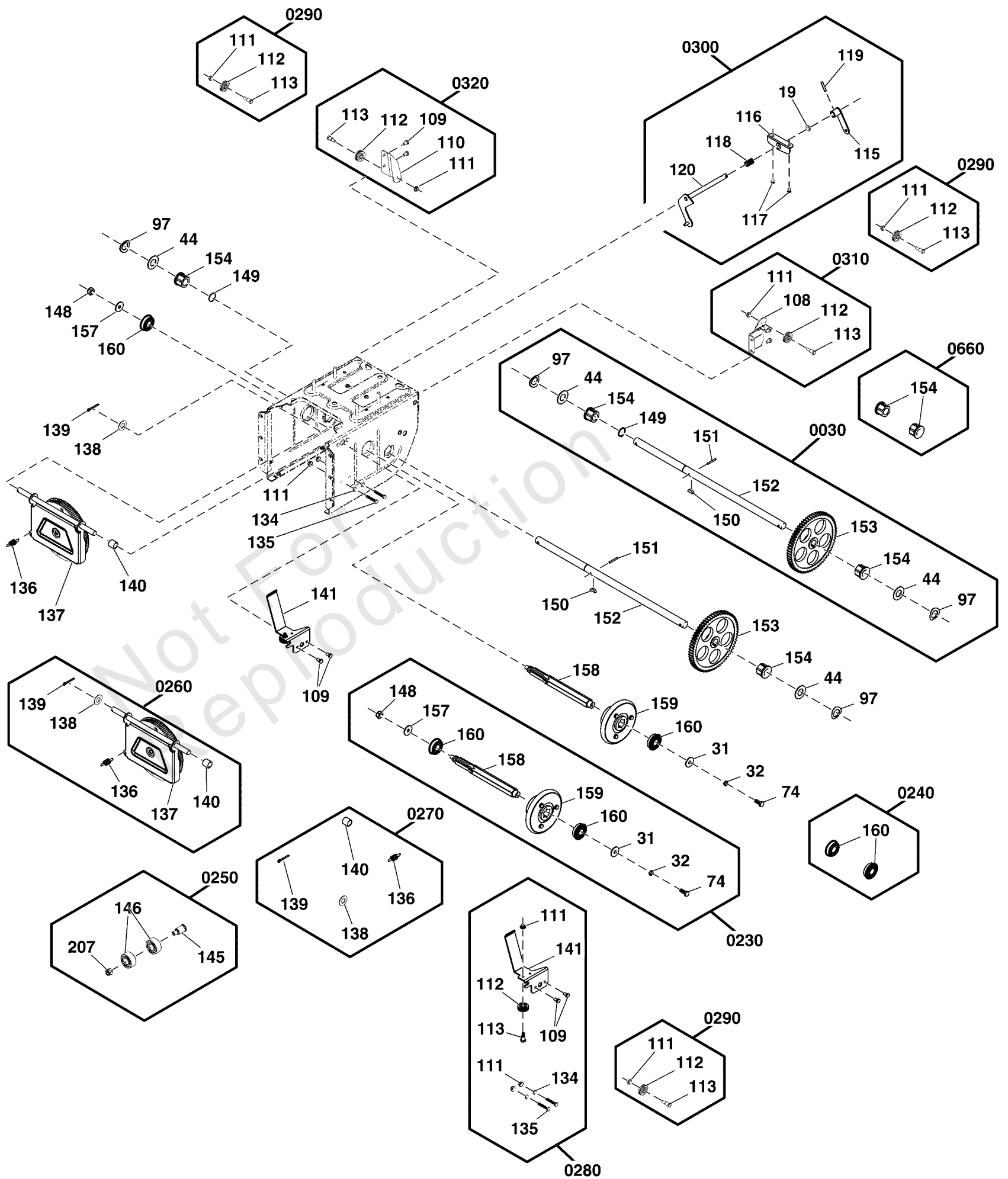
Transaxle Drive Group

REF NO	PART NO	QTY	DESCRIPTION
0030	770078	1	KIT, Axle & Sprocket -(Incl. Ref. Nos. 44, 97, 149, 150, 151, 152, 153, 154)
44	-----	2	WASHER, Flat
97	-----	2	WASHER, Wave, 20
149	-----	1	RING, External Retaining
150	-----	1	KEY, WOODRUFF
151	-----	1	PIN, Spring, 4 X 30
152	-----	1	AXLE
153	-----	1	GEAR, Drive
154	-----	2	SLEEVE, Axle
0230	707535	1	KIT, Friction Wheel & Shaft -(Incl. Ref. Nos. 31, 32, 74, 148, 157, 158, 159, 160)
31	-----	1	WASHER, Flat, 8 X 28 X 3
32	-----	1	WASHER, Lock, M8
74	-----	1	SCREW, Hex Head, M8X20
148	-----	1	NUT, Lock, M10
157	-----	1	WASHER, Flat, 8 X 28 X 2
158	-----	1	SHAFT, Hex
159	-----	1	FRICITION WHEEL ASSEMBLY
160	-----	2	BEARING, Ball
0240	707536	1	KIT, Bearing, Friction Wheel & Shaft -(Incl. Ref. No. 160)
160	-----	2	BEARING, Ball
0250	707539	1	KIT, BEARING, SWING PLATE -(Incl. Ref. Nos. 145, 146, 207)
145	-----	1	SHAFT, Bearing Retainer, M10
146	-----	2	BEARING, Ball
207	-----	1	NUT, Lock, M10
0260	707540	1	KIT, SWINGING PLATE -(Incl. Ref. Nos. 136, 137, 138, 139, 140)
136	-----	1	SPRING, Extension
137	-----	1	PULLEY, Friction
138	-----	1	WASHER, Flat, 13 X 24 X 2
139	-----	1	PIN, Cotter, 2.5 X 30
140	-----	1	SLEEVE, Spacer
0270	707538	1	KIT, SPRING, SWINGING PLATE -(Incl. Ref. Nos. 136, 138, 139, 140)
136	-----	1	SPRING, Extension
138	-----	1	WASHER, Flat, 13 X 24 X 2
139	-----	1	PIN, Cotter, 2.5 X 30
140	-----	1	SLEEVE, Spacer
0280	84003842	1	KIT, Belt Guide -(Incl. Ref. Nos. 109, 111, 112, 113, 134, 135, 141)
109	-----	2	SCREW, Hex Head W/ Flat Washer, M6 X 12
111	-----	3	NUT, HEX FLANGE HEAD, M6
112	-----	1	PULLEY, Cable
113	-----	1	SCREW, M6 X 12, Hex Head Shoulder
134	-----	2	WASHER, 6x12x.7, Flat
135	-----	2	SCREW, Hex Head, M6 X 35
141	-----	1	GUIDE, Belt
0290	707541	3	KIT, Pulley, Cable -(Incl. Ref. Nos. 111, 112, 113)
111	-----	1	NUT, HEX FLANGE HEAD, M6

Transaxle Drive Group

Note: Unless noted otherwise, use the standard torque specifications

Mfg. No: 1696617-03



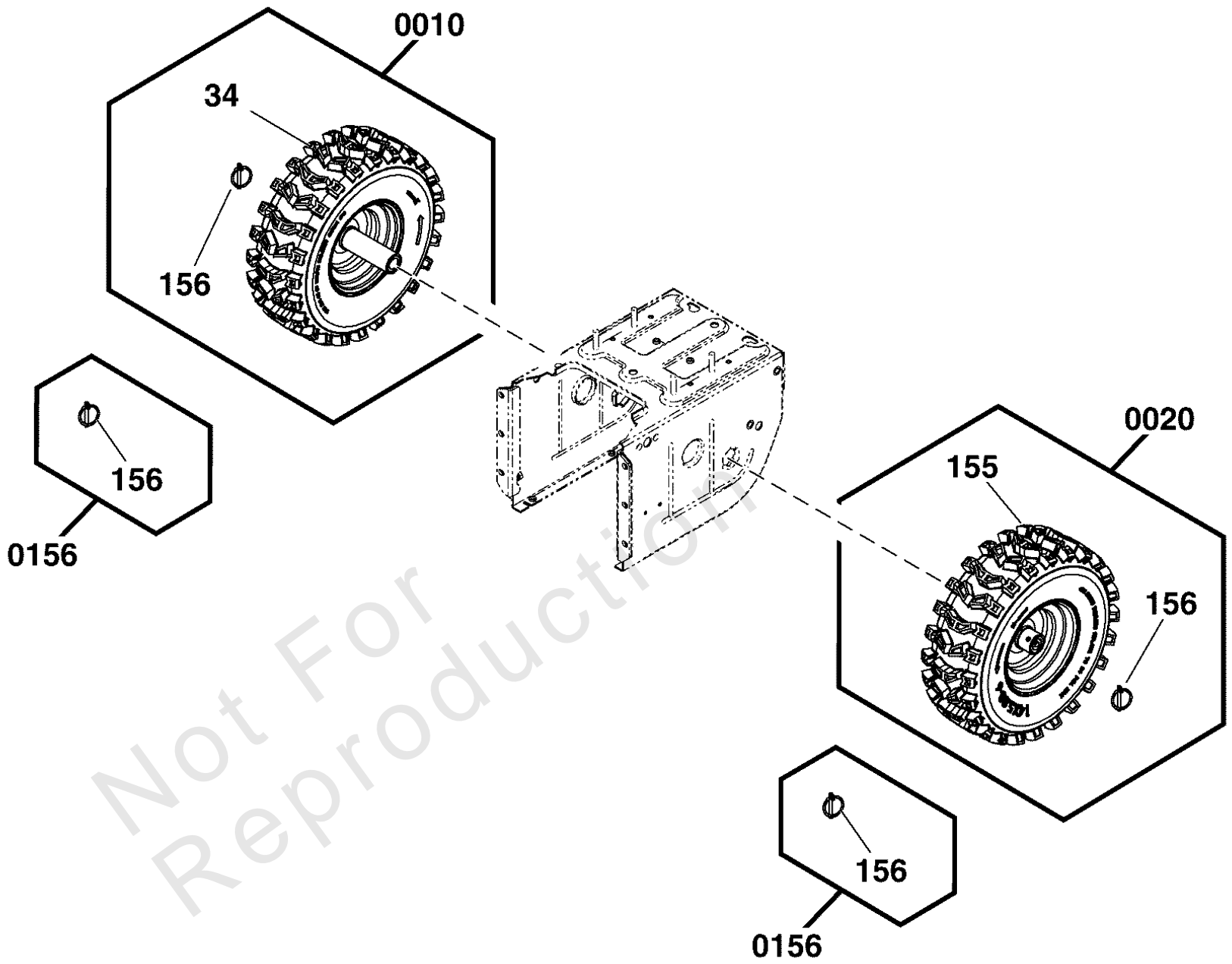
Transaxle Drive Group

REF NO	PART NO	QTY	DESCRIPTION
112	-----	1	PULLEY, Cable
113	-----	1	SCREW, M6 X 12, Hex Head Shoulder
0300	707527	1	KIT, Shift Rod -(Incl. Ref. Nos. 19, 115, 116, 117, 118, 119, 120)
19	-----	1	WASHER, Flat, 8 X 16 X 1.2
115	-----	1	ARM, Speed Select
116	-----	1	BRACKET, Speed Select
117	-----	2	SCREW, Hex Head W/ Flat Washer, M6 X 12
118	-----	1	SPRING, Compression
119	-----	1	PIN, Spring, 6 X 30
120	-----	1	ROD, Speed Select, Fork
0310	707528	1	KIT, Cable Base, Auger Drive -(Incl. Ref. Nos. 108, 109, 111, 112, 113)
108	-----	1	BRACKET, Cable Guide, Auger Control
109	-----	2	SCREW, Hex Head W/ Flat Washer, M6 X 12
111	-----	1	NUT, HEX FLANGE HEAD, M6
112	-----	1	PULLEY, Cable
113	-----	1	SCREW, M6 X 12, Hex Head Shoulder
0320	707529	1	KIT, Cable Base, Traction Drive -(Incl. Ref. Nos. 109, 110, 111, 112, 113)
109	-----	2	SCREW, Hex Head W/ Flat Washer, M6 X 12
110	-----	1	BRACKET, Cable Guide, Traction Control
111	-----	1	NUT, HEX FLANGE HEAD, M6
112	-----	1	PULLEY, Cable
113	-----	1	SCREW, M6 X 12, Hex Head Shoulder
0660	707532	1	KIT, AXLE SLEEVE -(Incl. Ref. Nos. 154)
154	-----	2	SLEEVE, Axle

Wheels & Tires Group

Note: Unless noted otherwise, use the standard torque specifications

Mfg. No: 1696617-03



Wheels & Tires Group

REF NO	PART NO	QTY	DESCRIPTION
0010	84003814	1	KIT, Wheel & Tire Right -(Incl. Ref. Nos. 34, 156)
34	-----	1	WHEEL ASSEMBLY, 14 X 5, Right
156	-----	1	PIN, Klik
0020	84003815	1	KIT, Wheel & Tire Left -(Incl. Ref. Nos. 155, 156)
155	-----	1	WHEEL ASSEMBLY, 14 X 5, Left
156	-----	1	PIN, Klik
0156	84003816	2	KIT, Klik Pin -(Incl. Ref. Nos. 156)
156	-----	1	PIN, Klik

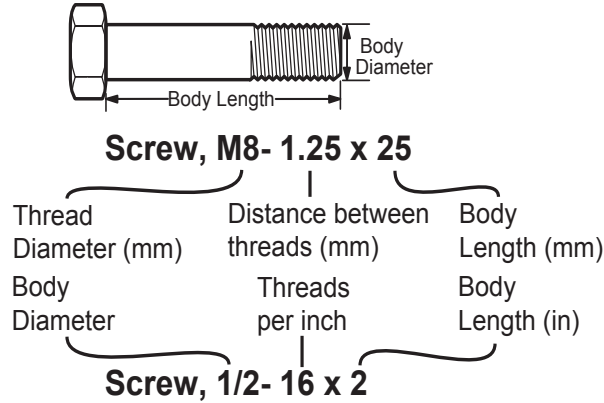
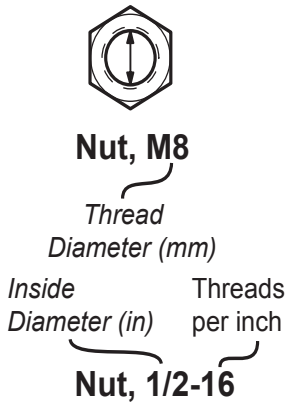
Not For Reproduction

Hardware Identification & Torque Specifications

Torque Specification Chart								
FOR STANDARD METRIC MACHINE HARDWARE (Tolerance ± 20%)								
Property Class	5.6		8.8		10.9		12.9	
	Class 5.6		Class 8.8		Class 10.9		Class 12.9	
Size Of Hardware	in/lbs	Nm.	in/lbs	Nm.	in/lbs	Nm.	in/lbs	Nm.
	ft/lbs		ft/lbs		ft/lbs		ft/lbs	
M3	5.88	.56	13.44	1.28	19.2	1.80	22.92	2.15
M4	13.44	1.28	30.72	2.90	43.44	4.10	52.56	4.95
M5	26.4	2.50	60.96	5.75	5.97	8.10	7.15	9.7
M6	44.64	4.3	7.3	9.9	10.3	14	12.1	16.5
M7	5.2	7.1	12.1	16.5	16.9	23	19.9	27
M8	7.7	10.5	17.7	24	25	34	29	40
M10	15	21	35	48	50	67	59	81
M12	26	36	61	83	86.2	117	103	140
M14	42	58	101	132	136	185	162	220
M16	64	88	147	200	210	285	250	340
M18	89	121	202	275	287	390	346	470
M20	126	171	290	390	405	550	486	660
M22	169	230	390	530	559	745	656	890
M24	217	295	497	375	708	960	840	1140
M27	320	435	733	995	1032	1400	1239	1680
M30	435	590	995	1350	1401	1900	1681	2280
M33	590	800	1349	1830	1902	2580	2278	3090
M36	759	1030	1740	2360	2441	3310	2935	3980
M39	988	1340	2249	3050	3163	4290	3798	5150

Torque Specification Chart						
FOR STANDARD MACHINE HARDWARE (Tolerance ± 20%)						
Hardware Grade	No Marks		SAE Grade 5		SAE Grade 8	
	SAE Grade 2		SAE Grade 5		SAE Grade 8	
Size Of Hardware	in/lbs	Nm.	in/lbs	Nm.	in/lbs	Nm.
	ft/lbs		ft/lbs		ft/lbs	
8-32	19	2.1	30	3.4	41	4.6
8-36	20	2.3	31	3.5	43	4.9
10-24	27	3.1	43	4.9	60	6.8
10-32	31	3.5	49	5.5	68	7.7
1/4-20	66	7.6	8	10.9	12	16.3
1/4-28	76	8.6	10	13.6	14	19.0
5/16-18	11	15.0	17	23.1	25	34.0
5/16-24	12	16.3	19	25.8	29	34.0
3/8-16	20	27.2	30	40.8	45	61.2
3/8-24	23	31.3	35	47.6	50	68.0
7/16-14	30	40.8	50	68.0	70	95.2
7/16-20	35	47.6	55	74.8	80	108.8
1/2-13	50	68.0	75	102.0	110	149.6
1/2-20	55	74.8	90	122.4	120	163.2
9/16-12	65	88.4	110	149.6	150	204.0
9/16-18	75	102.0	120	163.2	170	231.2
5/8-11	90	122.4	150	204.0	220	299.2
5/8-18	100	136	180	244.8	240	326.4
3/4-10	160	217.6	260	353.6	386	525.0
3/4-16	180	244.8	300	408.0	420	571.2
7/8-9	140	190.4	400	544.0	600	816.0
7/8-14	155	210.8	440	598.4	660	897.6
1-8	220	299.2	580	788.8	900	1,244.0
1-12	240	326.4	640	870.4	1,000	1,360.0

The guides and ruler furnished below are designed to help you select the appropriate hardware.



Standard Hardware Sizing

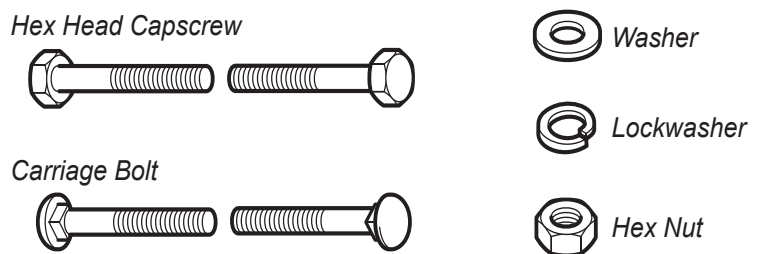
When a washer or nut is identified as 1/2" (M8), this is the *Nominal size*, meaning the *inside diameter* is 1/2 inch (8mm metric thread diameter); if a second number is present it represents the *threads per inch* (distance between threads).

When bolt or capscrew is identified as 1/2 - 16 x 2" (M8 - 1.25 x 50), this means the *Nominal size*, or body diameter is 1/2 inch (8mm metric thread diameter), the second number, 16, represents the *threads per inch*, (*distance between threads*). The final number is the body length of the bolt or screw, 2 inches (50mm).

NOTES

- These torque values are to be used for all hardware excluding: locknuts, self-tapping screws, thread forming screws, sheet metal screws and socket head setscrews.
- Recommended seating torque values for locknuts:
 - for prevailing torque locknuts - use 65% of grade 5 torques.
 - for flange whizlock nuts and screws - use 135% of grade 5 torques.
- Unless otherwise noted on assembly drawings, all torque values must meet this specification.

Common Hardware Types



Wrench & Fastener Size Guide

1/4" Bolt or Nut Wrench—7/16"	5/16" Bolt or Nut Wrench—1/2"	3/8" Bolt or Nut Wrench—9/16"	7/16" Bolt or Nut Wrench (Bolt)—5/8" Wrench (Nut)—11/16"	1/2" Bolt or Nut Wrench—3/4"
M6 Bolt or Nut Wrench—10mm	M8 Bolt or Nut Wrench—13mm	M10 Bolt or Nut Wrench—17mm	M12 Bolt or Nut Wrench—19mm	M14 Bolt or Nut Wrench—22mm

